

E³ Move a lever to the future

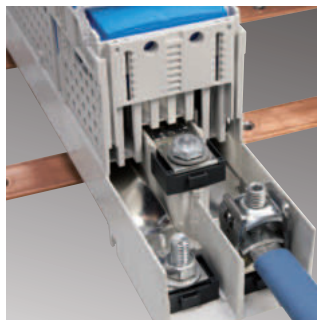
Easy mounting



Perfectly complementary
to the NH Fuse-Switch,
horizontal design SILAS



Flexible conductor mounting



Integrated current transformers





Inhalt

EFEN ³ -NH Fuse-Switches, vertical design, Size 00/60 -00/185	206
EFEN ³ -NH Fuse-Switches, vertical design, Size 1 - 3	208
Accessories for size 00	213
Accessories for size 1 - 3	219
Multimeasurement devices	227
Technical data	229

System

With the NH Fuse-Switches, vertical design, series EFEN³ you receive a product what is fit for all current and future requirements.

It was designed especially for a responsible use of the resource energy. The new mounting technique will set a new benchmark for assembling and mounting devices. Excellent electrical data (120 kA rated conditional short circuit current) makes it a unique product.

Features

All components are made of high quality material. A wide range of accessories, especially for controlling and measurement, offer a lot of possibilities.

Mounting without drilling is possible from size 00 - 3. For personell safety, all devices can be locked or be put in park-position.



Intelligent measurement



Various covers



Device carrier, plastic



Multimeasurement devices



E³-NH Fuse-Switches, vertical design, size 00 160 A for busbar systems with 60 and 100 mm centre distance



38044-0020

E³-NH Fuse-Switches, vertical design, size 00/60, 3-pole switching, 160 A, hook contacting for busbar systems with 60 mm centre distance

Properties:

- turnable mounting hooks
- different connecting possibilities

Description	Size	Amps	Order-No.	PU	PG	Sur. Ag	Sur. Cu	Price €/pc.
with multiple use terminal (screw M8)	00/60	160	38044-0020	1	E ³ 00	0,011	0,073	103,00
with box terminal 95 mm ²	00/60	160	38046-0020	1	E ³ 00	0,011	0,075	112,00



38054-0020

E³-NH Fuse-Switches, vertical design, size 00/100, 3-pole switching, 160 A, for busbar systems with 100 mm centre distance

Properties:

- different connecting versions
- version for current transformer mounting
- terminal top or bottom

Description	Size	Amps	Order-No.	PU	PG	Sur. Ag	Sur. Cu	Price €/pc.
with multiple use terminal (screw M8), for hook connecting, contact hooks attached	00/100	160	38054-0020	1	E ³ 00	0,015	0,065	98,00
with box terminal 95 mm ² , for hook connecting, contact hooks attached	00/100	160	38056-0020	1	E ³ 00	0,015	0,066	107,00
with multiple use terminal (screw M8) for current transformer mounting	00/100	160	38054-0050	1	E ³ 00	0,014	0,062	96,00
with box terminal 95 mm ² for current transformer mounting	00/100	160	38056-0050	1	E ³ 00	0,014	0,064	105,00



38054-0000

E³-NH Fuse-Switches, vertical design, size 00/100, 1-pole switching, 160 A, for busbar systems with 100 mm centre distance

Properties:

- different connecting versions
- version for current transformers mounting
- terminal top or bottom

Description	Size	Amps	Order-No.	PU	PG	Sur. Ag	Sur. Cu	Price €/pc.
with multiple use terminal (screw M8), for hook connecting, contact hooks attached	00/100	160	38054-0000	1	E ³ 00	0,015	0,065 on demand	
with box terminal 95 mm ² , for hook connecting, contact hooks attached	00/100	160	38056-2000	1	E ³ 00	0,015	0,066 on demand	
with multiple use terminal (screw M8) for current transformer mounting	00/100	160	38054-0040	1	E ³ 00	0,014	0,062 on demand	
with box terminal 95 mm ² for current transformer mounting	00/100	160	38056-0040	1	E ³ 00	0,014	0,064 on demand	



38054-0030

E³-NH Fuse-Switches, vertical design, size 00, 3-pole switching, 160 A with electronical fuse monitoring for busbar systems with 60 or 100 mm centre distance

Properties:

- busbar distance: 60 mm or 100 mm
- display "Ready": Green signal
- display "Error": Red signal

Description	Size	Amps	Order-No.	PU	PG	Sur. Ag	Sur. Cu	Price €/pc.
size 00/60, 3-pole switching, with multiple use terminal (screw M8) for hook connecting, contact hooks attached	00/60	160	38044-0030	1	E ³ 00	0,011	0,073	229,00
size 00/60, 3-pole switching, with multiple use terminal (screw M8) for hook connecting, contact hooks attached	00/60	160	38046-0030	1	E ³ 00	0,011	0,075	238,00
size 00/100, 3-pole switching, with multiple use terminal (screw M8) for hook connecting, contact hooks attached	00/100	160	38054-0030	1	E ³ 00	0,015	0,065	224,00
size 00/100, 3-pole switching, with box terminal 95 mm ² for hook connecting, contact hooks attached	00/100	160	38056-0030	1	E ³ 00	0,015	0,065	233,00

E³-NH Fuse-Switches, vertical design, size 00 160 A for busbar systems with 185 mm centre distance



38064-0000

E³-NH Fuse-Switches, vertical design, size 00/185, 3-pole switching, 160 A, for busbar systems with 185 mm centre distance

Properties:

- direct mounting in combination with size 1-3 possible
- version with elevated hooks for installation depth 150 mm
- versions for current transformers

Description	Size	Amps	Order-No.	PU	PG	Sur. Ag	Sur. Cu	Price €/pc.
with multiple use terminal (screw M8), for hook connecting, contact hooks attached	00/185	160	38064-0020	1	E ³ 00	0,014	0,080	126,00
with box terminal 95 mm ² , for hook connecting, contact hooks attached	00/185	160	38066-0020	1	E ³ 00	0,014	0,080	141,00
with multiple use terminal (screw M8), elevated feeding bracket for direct mounting next to size 1 - 3	00/185	160	38064-0070	1	E ³ 00	0,012	0,116	141,00
with box terminal 95 mm ² , elevated feeding bracket for direct mounting next to size 1 - 3	00/185	160	38066-0070	1	E ³ 00	0,014	0,080	126,00
with multiple use terminal (screw M8), elevated feeding bracket for direct mounting next to size 1 - 3, for current transformer mounting PSR 253	00/185	160	38064-0090	1	E ³ 00	0,012	0,128 on demand	
with box terminal 95 mm ² , elevated feeding bracket for direct mounting next to size 1 - 3, for current transformer mounting PSR 253	00/185	160	38066-0090	1	E ³ 00	0,012	0,128 on demand	



38064-0060

E³-NH Fuse-Switches, vertical design, size 00/185, 1-pole switching, 160 A, for busbar systems with 185 mm centre distance

Properties:

- direct mounting in combination with size 1-3 possible
- version with elevated hooks for installation depth 150 mm
- versions for current transformers

Description	Size	Amps	Order-No.	PU	PG	Sur. Ag	Sur. Cu	Price €/pc.
with multiple use terminal (screw M8), for hook connecting, contact hooks attached	00/185	160	38064-0000	1	E ³ 00	0,012	0,117	141,00
with box terminal 95 mm ² , for hook connecting, contact hooks attached	00/185	160	38066-0000	1	E ³ 00	0,012	0,116	152,00
with multiple use terminal (screw M8), elevated feeding bracket for direct mounting next to size 1 - 3	00/185	160	38064-0060	1	E ³ 00	0,012	0,117	152,00
with box terminal 95 mm ² , elevated feeding bracket for direct mounting next to size 1 - 3	00/185	160	38066-0060	1	E ³ 00	0,012	0,115	167,00
with multiple use terminal (screw M8), elevated feeding bracket for direct mounting next to size 1 - 3, for current transformer mounting PSR 253	00/185	160	38064-0080	1	E ³ 00	0,012	0,128 on demand	
with box terminal 95 mm ² , elevated feeding bracket for direct mounting next to size 1 - 3, for current transformer mounting PSR 253	00/185	160	38066-0080	1	E ³ 00	0,012	0,128 on demand	

E³-NH Fuse-Switches, vertical design, size 1-3 for busbar systems with 185 mm centre distance



38016-0000

E³-NH Fuse-Switches, vertical design, size 1 - 3, 1-pole switching, 250 A - 630 A, for busbar systems with 185 mm centre distance

Description	Size	Amps	Order-No.	PU	PG	Sur. Ag	Sur. Cu	Price €/pc.
with multiple use terminal (screw M12)	1	250	38016-0000	1	E ³ 1-3	0,017	0,182	237,00
with multiple use terminal (screw M12)	2	400	38026-0000	1	E ³ 1-3	0,017	0,207	243,00
with multiple use terminal (screw M12)	3	630	38036-0000	1	E ³ 1-3	0,027	0,271	279,00
with V2N-shaped terminal (clamps not attached)	1	250	38015-0000	1	E ³ 1-3	0,017	0,182	237,00
with V2N-shaped terminal (clamps not attached)	2	400	38025-0000	1	E ³ 1-3	0,017	0,207	243,00
with V2N-shaped terminal (clamps not attached)	3	630	38035-0000	1	E ³ 1-3	0,027	0,271	279,00



38016-0020

E³-NH Fuse-Switches, vertical design, size 1 - 3, 3-pole switching, 250 A - 630 A, for busbar systems with 185 mm centre distance

Description	Size	Amps	Order-No.	PU	PG	Sur. Ag	Sur. Cu	Price €/pc.
with multiple use terminal (screw M12)	1	250	38016-0020	1	E ³ 1-3	0,017	0,182	237,00
with multiple use terminal (screw M12)	2	400	38026-0020	1	E ³ 1-3	0,017	0,207	243,00
with multiple use terminal (screw M12)	3	630	38036-0020	1	E ³ 1-3	0,027	0,271	279,00
with V2N-shaped terminal (clamps not attached)	1	250	38015-0020	1	E ³ 1-3	0,017	0,182	237,00
with V2N-shaped terminal (clamps not attached)	2	400	38025-0020	1	E ³ 1-3	0,017	0,207	243,00
with V2N-shaped terminal (clamps not attached)	3	630	38035-0020	1	E ³ 1-3	0,027	0,271	279,00

E³-NH Fuse-Switches, vertical design, size 1 - 3, 3-pole switching, 250 A - 630 A, with electronical fuse-monitoring, for busbar systems with 185 mm centre distance

Description	Size	Amps	Order-No.	PU	PG	Sur. Ag	Sur. Cu	Price €/pc.
with multiple use terminal (screw M12)	1	250	38016-0040	1	E ³ 1-3			on demand
with multiple use terminal (screw M12)	2	400	38026-0040	1	E ³ 1-3			on demand
with multiple use terminal (screw M12)	3	630	38036-0040	1	E ³ 1-3			on demand



38016-0600

E³-NH Fuse-Switches, vertical design, size 1 - 3, 1-pole switching, 250 A - 630 A, with special handle for 168 mm installation depth, for busbar systems with 185 mm centre distance

Properties:
- for installation depth 168 mm

Description	Size	Amps	Order-No.	PU	PG	Sur. Ag	Sur. Cu	Price €/pc.
with multiple use terminal (screw M12)	1	250	38016-0600	1	E ³ 1-3			on demand
with multiple use terminal (screw M12)	2	400	38026-0600	1	E ³ 1-3			on demand
with multiple use terminal (screw M12)	3	630	38036-0600	1	E ³ 1-3			on demand

E³-NH Fuse-Switches, vertical design, size 1 - 3, with special sidewise connection and coupling system



38010-0110

E³-NH Fuse-Switches, vertical design, size 1 - 3, 1-pole switching, with special sidewise connection

Description	Size	Amps	Order-No.	PU	PG	Sur. Ag	Sur. Cu	Price €/pc.
Terminal right	1	250	38010-0110	1	E ³ 1-3			on demand
Terminal left	1	250	38010-0130	1	E ³ 1-3			on demand
Terminal backside	1	250	38010-0090	1	E ³ 1-3			on demand
Terminal right	2	400	38020-0110	1	E ³ 1-3			on demand
Terminal left	2	400	38020-0130	1	E ³ 1-3			on demand
Terminal backside	2	400	38020-0190	1	E ³ 1-3			on demand
Terminal right	3	630	38030-0110	1	E ³ 1-3			on demand
Terminal left	3	630	38030-0130	1	E ³ 1-3			on demand
Terminal backside	3	630	38030-0190	1	E ³ 1-3			on demand

E³-NH Fuse-Switches, vertical design, size 1-3, 1- and 3-pole switching, with coupling system to connect two busbar system with 185 mm centre distance

Properties:

- terminal connecting inside
- busbar disconnect in the middle of the switch
- no space loss



38010-0160

Description	Size	Amps	Order-No.	PU	PG	Sur. Ag	Sur. Cu	Price €/pc.
Terminal inside	1	250	38010-0150	1	E ³ 1-3			on demand
Terminal inside	2	400	38020-0150	1	E ³ 1-3			on demand
Terminal inside	3	630	38030-0150	1	E ³ 1-3			on demand
Terminal inside	1	250	38010-0160	1	E ³ 1-3			on demand
Terminal inside	2	400	38020-0160	1	E ³ 1-3			on demand
Terminal inside	3	630	38030-0160	1	E ³ 1-3			on demand

E³-NH Fuse-Switches, vertical design, size 3, 3-pole switching, for parallel switching

For more information
see page **229**



38036-0180

E³-NH Fuse-Switches, vertical design, size 3, 3-pole switching, 1260 A, with coupling system to switch the devices parallel, for busbar system with 185 mm centre distance

Properties:

- terminal: 4 screws M12
- further versions on demand
- precise split of the current flow by pre-assembled terminals

Description	Size	Amps	Order-No.	PU	PG	Sur. Ag	Sur. Cu	Price €/pc.
2x E ³ -Fuse-Switches, parallel mounted, terminal M12	3	1260	38036-0180	1	E ³ 1-3			on demand



36436-0010

Terminal cover for E³ parallel switching

Description	Size	Amps	Order-No.	PU	PG	Sur. Ag	Sur. Cu	Price €/pc.
Terminal cover for the E ³ -NH Fuse-Switches, parallel switching	1-3		36436-0010	1	E ³ 1-3			on demand

**Ε³-NH-Fuse-Switches, vertical design, size 3,
1- and 3-pole switching, with coupling system**

For more information
see pag **229**



38030-0210

**Ε³-NH Fuse-Switches, vertical design, size 3, 1-pole switching, 1000 A installed solid link,
with coupling system to connect two busbar system with 185 mm centre distance**

Description	Size	Amps	Order-No.	PU	PG	Sur. Ag	Sur. Cu	Price €/pc.
Incoming switch with 1000 A solid link, terminal inside.	3	1000	38030-0210					on demand
Incoming switch with 1000 A solid link, terminal right, ct´s possible	3	1000	38036-0230					on demand



Terminal inside

**Ε³-NH Fuse-Switches, vertical design, size 3, 3-pole switching, 1000 A installed solid link,
with coupling system to connect two busbar system with 185 mm centre distance**

Description	Size	Amps	Order-No.	PU	PG	Sur. Ag	Sur. Cu	Price €/pc.
Incoming switch with 1000 A solid link, terminal inside.	3	1000	38030-0220					on demand
Incoming switch with 1000 A solid link, terminal right, ct´s possible	3	1000	38030-0240					on demand



terminal right

€³-NH-Fuse-Switches, vertical design, size 3, 1- or 3-pole switching, Incoming switch

 For more information
see pag **229**


38036-0080

€³-NH Fuse-Switches, vertical design, size 3, 3-pole switching, 1000 A incoming switch with installed solid link

Properties:

- terminal top or bottom
- terminal connection with two screws M12

Description	Size	Amps	Order-No.	PU	PG	Sur. Ag	Sur. Cu	Price €/pc.
Incoming switch with installed solid link	3	1000	38036-0080	1	E ³ 1-3			on demand



36435-0010

Terminal cover long

Description	Size	Amps	Order-No.	PU	PG	Sur. Ag	Sur. Cu	Price €/pc.
E ³ terminal cover extra long	1-3		36435-0010	1	E ³ Zub.			on demand

Locking system for higher rated short-time withstand current

Properties:

- no mounting on the solid links inside the NH Fuse-Switches
- can not be used when using coupling system

Description	Size	Amps	Order-No.	PU	PG	Sur. Ag	Sur. Cu	Price €/pc.
Locking system for higher rated short-time withstand current			36433-0010	1	E ³ Zub.			on demand



38034-0290

€³-NH Fuse-Switches, vertical design, size 3, 1-pole switching, 2000 A incoming switch with installed solid link

Description	Size	Amps	Order-No.	PU	PG	Sur. Ag	Sur. Cu	Price €/pc.
Incoming switch with installed solid link, terminal top or bottom for 2000 A	3	2000	38034-0290					on demand
Incoming switch with installed solid link, terminal right for 2000 A	3	2000	38034-0310					on demand

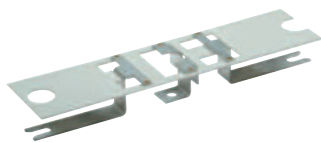


38034-0300

€³-NH Fuse-Switches, vertical design, size 3, 3-pole switching, 2000 A incoming switch with installed solid link

Description	Size	Amps	Order-No.	PU	PG	Sur. Ag	Sur. Cu	Price €/pc.
Incoming switch with installed solid link, terminal top or bottom for 2000 A	3	2000	38034-0300					on demand
Incoming switch with installed solid link, terminal right for 2000 A	3	2000	38030-0320					on demand

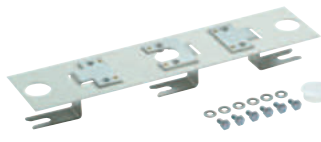
E³-Adapters and Frames for size 00



36338-0010

E³-Twin adapter for mounting the 00/60 onto busbar systems with 185 mm centre distance

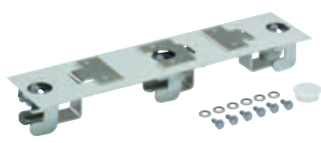
Description	Size	Amps	Order-No.	PU	PG	Sur. Ag	Sur. Cu	Price €/pc.
E ³ twin adapter for mounting the 00/60 onto busbar systems with 185 mm centre distance	00/60		36338-0010	1	E ³ Zub.		0,109	57,15



36337-0010

E³-Twin adapter for mounting the 00/100 onto busbar systems with 185 mm centre distance

Description	Size	Amps	Order-No.	PU	PG	Sur. Ag	Sur. Cu	Price €/pc.
E ³ twin adapter for mounting the 00/100 onto busbar systems with 185 mm centre distance	00/100		36337-0010	1	E ³ Zub.		0,105	46,80



36440-0010

E³-Twin adapter for mounting the 00/100 onto busbar systems with 185 mm centre distance by hooks

Description	Size	Amps	Order-No.	PU	PG	Sur. Ag	Sur. Cu	Price €/pc.
E ³ twin adapter for mounting the 00/100 onto busbar systems with 185 mm centre distance by hooks	00/100		36440-0010	1	E ³ Zub.		0,105	69,60



36339-0010

E³-Single adapter for mounting the 00/100 onto busbar systems with 185 mm centre distance

Description	Size	Amps	Order-No.	PU	PG	Sur. Ag	Sur. Cu	Price €/pc.
E ³ single adapter for mounting the 00/100 onto busbar systems with 185 mm centre distance	00/100		36339-0010	1	E ³ Zub.		0,030	22,90



36398-0010

E³-Twin adapter for the height compensation by size 00/185 next to size 1 - 3

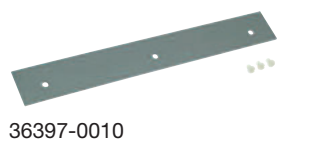
Description	Size	Amps	Order-No.	PU	PG	Sur. Ag	Sur. Cu	Price €/pc.
E ³ twin adapter for the height compensation by size 00/185 next to size 1 - 3	00/185		36398-0010	1	E ³ Zub.		0,103	48,90



36728-0010

Blank panel cover for adapter size 00, length 185 mm, with 50 mm with distance bolts

Description	Size	Amps	Order-No.	PU	PG	Sur. Ag	Sur. Cu	Price €/pc.
Blank panel cover for adapter size 00, length 185 mm, with 50 mm with distance bolts	00/100		36728-0010	1	E ³ Zub.			on demand



36397-0010

Blank panel cover for adapter size 00, length 185 mm, with 50 mm

Description	Size	Amps	Order-No.	PU	PG	Sur. Ag	Sur. Cu	Price €/pc.
Blank panel cover for adapter size 00, length 185 mm, with 50 mm	00/185		36397-0010	1	E ³ Zub.			28,60



36330-0010

Adjusting frame for size 00

Properties:

- length adjustment differences between size 00/60 - 00/100 to size 1 - 3
- set = for 1 switch

Description	Size	Amps	Order-No.	PU	PG	Sur. Ag	Sur. Cu	Price €/pc.
Adjusting frame for top and bottom to length adjustment differences between size 00/60 - 00/100 to size 1 - 3	00/60 00/100		36330-0010	1	E ³ Zub.			8,30

Connecting material for E³-Fuse-Switches, vertical design, size 00/60 up to 00/185



36377-0010

Pressure plate

Properties:

- for Cu conductors
- set = 3 pcs.

Description	Size	Amps	Order-No.	PU	PG	Sur. Ag	Sur. Cu	Price €/pc.
Pressure plates for solid cable and lam. copper for direct cable contacting 1,5 - 25 mm ² or flat copper 16 x 10	00		36377-0010	1E ³	Zub.			8,50



36378-0010

Pressure plates with prism

Properties:

- for Cu and Al conductors
- set = 3 pcs.

Description	Size	Amps	Order-No.	PU	PG	Sur. Ag	Sur. Cu	Price €/pc.
Pressure plates with contact prism for solid cable and lam. copper for direct cable contacting 1,5 - 95 mm ² or flat copper 16 x 10	00		36378-0010	1E ³	Zub.			14,55



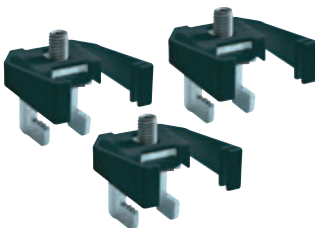
36366-0010

Pressure plates with prism for size 00/185

Properties:

- for Cu and Al conductors
- set = 3 pcs.

Description	Size	Amps	Order-No.	PU	PG	Sur. Ag	Sur. Cu	Price €/pc.
Pressure plates with contact prism for solid copper and aluminium conductors, 70-150 mm ² re, rm, sm	00		36366-0010	1E ³	Zub.			24,95



36367-0010

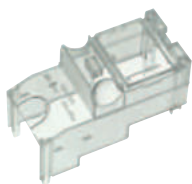
Contact hooks for size 00/185

Properties:

- for busbars 5-10 mm
- for direct mounting in combination with size 1 - 3
- set = 3 pcs.

Description	Size	Amps	Order-No.	PU	PG	Sur. Ag	Sur. Cu	Price €/pc.
Contact hooks for E ³ -Fuse-Switches, vertical design, size 00/185 with elevated feeding bracket	00/185		36367-0010	1E ³	Zub.			39,50

Cover for E³-NH Fuse-Switches, vertical design, size 00



36400-0010

Terminal cover short for 00/60 an 00/100

- Properties:**
- with box terminal

Description	Size	Amps	Order-No.	PU	PG	Sur. Ag	Sur. Cu	Price €/pc.
Terminal cover, especially when using box terminal size 00/60 and 00/100	00/60 00/100		36400-0010	1	E ³ Zub.			3,15



36402-0010

Terminal cover schort for 00/185

- Properties:**
- with box terminal

Description	Size	Amps	Order-No.	PU	PG	Sur. Ag	Sur. Cu	Price €/pc.
Terminal cover, especially when using box terminal size 00/185	00/185		36402-0010	1	E ³ Zub.			3,15



36331-0010

Angle bracket

- Properties:**
- mounting sidwise or top
- 5 mm grid
- to clip-on the universal sideframe
- with thread M6 or PT screws 3,5 mm
- for mounting the protection cover

Description	Size	Amps	Order-No.	PU	PG	Sur. Ag	Sur. Cu	Price €/pc.
Sidwise angle bracket for mounting the sideframe universal, height adjustable	00-3		36331-0010	1	E ³ Zub.			7,30



36727-0010

Lateral cover

- Properties:**
- lateral covering of the busbars
- direct mounting onto the E³-NH Fuse-Switch

Description	Size	Amps	Order-No.	PU	PG	Sur. Ag	Sur. Cu	Price €/pc.
Protection cover for lateral mounting	00/185 3		36727-0010	1	E ³ Zub.			on demand

Covers for E³-NH Fuse-Switches, vertical design, size 00



36389-0010

Identification holder for 00/60 - 00/185

Properties:

- without label
- for the adjustment to the NH Fuse-Switches, horizontal design, series SILAS

Description	Size	Amps	Order-No.	PU	PG	Sur. Ag	Sur. Cu	Price €/pc.
Identification holder top	00/60 00/185		36389-0010	1E ³	Zub.			2,35



36380-0010

Identification label for 00/60 - 00/185

Description	Size	Amps	Order-No.	PU	PG	Sur. Ag	Sur. Cu	Price €/pc.
Identification label for clip mounting	00/60 00/185		36380-0010	1E ³	Zub.			4,15



36391-0010

Identification holder short version for 00/185

Properties:

- for the E³-NH Fuse-Switches, vertical design, size 00/185

Description	Size	Amps	Order-No.	PU	PG	Sur. Ag	Sur. Cu	Price €/pc.
Identification holder short version, mounting by clip mounting top or bottom	00/185		36391-0010	1E ³	Zub.			on demand



36335-0010

Microswitch for position indicating

Properties:

- microswitch, opener or closer
- 2 A / 250 Vac connection 2,8 x 0,5 mm
- for 3-pole switching please use 2 microswitches

Description	Size	Amps	Order-No.	PU	PG	Sur. Ag	Sur. Cu	Price €/pc.
Microswitch for position indicating (1 Set = 6 pcs.) 1 opener or closer	00/60 00/185		36335-0010	1E ³	Zub.			38,65



36379-0010

Locking window

Properties:

- to lock the sliding window
- mounting inside the switch
- set = 3 pcs.

Description	Size	Amps	Order-No.	PU	PG	Sur. Ag	Sur. Cu	Price €/pc.
Protection against power theft	00 - 3		36379-0010	1E ³	Zub.			3,45

ε³-Low Voltage Current Transformer for size 00



77283-6313

ε³-Low Voltage Current Transformer Blocks for the ε³-NH-Fuse-Switches, vertical design, size 00/100

Properties:

CT-block, class 1; 0,5 retrofit, clamp 2,5 mm² for 1- or 3-phase measurement
(1-phase measurement on L1)

Description	Size	Amps	Order-No.	PU	PG	Sur. Ag	Sur. Cu
100/1, Kl. 1, 1,25 VA, 3-phase measurement	00/100	77283-6313	1	E ³ Zub.			125,00
150/1, Kl. 1, 2,5 VA, 3-phase measurement	00/100	77283-6533	1	E ³ Zub.			125,00
150/1, Kl. 0,5, 2 VA, 3-phase measurement	00/100	77283-6522	1	E ³ Zub.			133,00
100/1, Kl. 1, 1,25 VA, 1-phase measurement	00/100	77284-6313	1	E ³ Zub.			70,80
150/1, Kl. 1, 1,25 VA, 1-phase measurement	00/100	77284-6533	1	E ³ Zub.			70,80



77255-1343

Tube type current transformer PSR 253 for the ε³-NH Fuse-Switches, vertical design, size 00/185

Properties:

- class 1
- screw clamp M5

Primary current in Amps	Secondary current in Amps	VA	accuracy class	Order-No.	PU	PG	Sur. Ag	Sur. Cu	Price €/pc
Tube type current transformer PSR 253, 100/5, cl. 1, 5 VA	5	5	1	77255-1343	3	NW 1			28,90
Tube type current transformer PSR 253, 100/1, cl. 1, 5 VA	1	5	1	77255-6343	3	NW 1			32,00
Tube type current transformer PSR 253, 150/5, cl. 1, 5 VA	5	5	1	77255-1543	3	NW 1			28,90
Tube type current transformer PSR 253, 150/1, cl. 1, 5 VA	1	5	1	77255-6543	3	NW 1			32,00

Further versions please see chapter NW - PSR 253

Click on device frames (plastic) for E³-NH-Fuse-Switches, vertical design


36395-0010

Click-on device frame, short
Properties:

- for plug-on ampere meter

Description	Size	Amps	Order-No.	PU	PG	Sur. Ag	Sur. Cu	Price €/pc.
Click-on device frame, 1-phase, length 95 mm	00/60-00/185		36395-0010	1	E ³ Zub.			on demand
Click-on device frame, 3-phase, length 95 mm	00/60-00/185		36388-0010	1	E ³ Zub.			30,15
Click-on device frame, blind element, length 95 mm	00/60-00/185		36386-0010	1	E ³ Zub.			8,30



36387-0010

Click-on device frame, short
Properties:

- for disappearing ampere meter

Description	Size	Amps	Order-No.	PU	PG	Sur. Ag	Sur. Cu	Price €/pc.
Click-on device frame, 1 cutout, length 95 mm	00/60-00/185		36387-0010	1	E ³ Zub.			8,30



36385-0010

Click-on device frame, long
Properties:

- for disappearing ampere meter

Description	Size	Amps	Order-No.	PU	PG	Sur. Ag	Sur. Cu	Price €/pc.
Click-on device frame, 1 cutout, length 135 mm	00/60-00/185		36385-0010	1	E ³ Zub.			8,30

Connecting material for E³-NH-Fuse-Switches, vertical design, size 1 - 3



36354-0010

Contact hooks

Properties:

- easy retrofit
- busbar depth 5 -10 mm
- max. busbar width 100 mm
- set = 3 pcs.

Description	Size	Amps	Order-No.	PU	PG	Sur. Ag	Sur. Cu	Price €/pc.
Contact hooks for mounting without drilling, size 1-3, busbar thickness 5 - 10 mm (1 Set = 3 pcs.)	1-3		36354-0010	1	E ³ Zub.			21,80



36719-0010

Screws M12 x 30

Properties:

- with spring element
- for busbar mounting or terminal connection
- set = 3 pcs.

Description	Size	Amps	Order-No.	PU	PG	Sur. Ag	Sur. Cu	Price €/pc.
Screws M12 x 30 with spring element	1-3		36719-0010	1	E ³ Zub.			3,75



36350-0010

Steel clamp for retrofit the multiple use terminal

Properties:

- set = 3 pcs.

Description	Size	Amps	Order-No.	PU	PG	Sur. Ag	Sur. Cu	Price €/pc.
Steel clamp for retrofit, retrofitable for multiple use terminal, 35-240 rm, 35-300 re, 50-300 sm/se	1-3		36350-0010	1	E ³ Zub.			on demand



36298-0010

V-clamp

Properties:

- set = 3 pcs.

Description	Size	Amps	Order-No.	PU	PG	Sur. Ag	Sur. Cu	Price €/pc.
V-clamp aluminium for V-shaped terminal, 25-240 rm/re, 35-240 sm, 35-300 se	1-3		36298-0010	1	E ³ Zub.			16,05

Connecting material for E³-NH-Fuse-Switches, vertical design, size 1 - 3

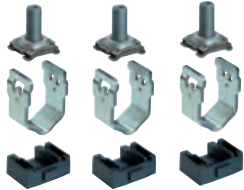


36353-0010

V-clamp

Properties:
- set = 3 pcs.

Description	Size	Amps	Order-No.	PU	PG	Sur. Ag	Sur. Cu	Price €/pc.
V-clamp steel for V-shaped terminal, 25-240 rm, 35-300 re, 50-240 sm, 50-300 se	1-3		36353-0010	1	E ³ Zub.			25,50
Twin V-clamp, 2 x 95 mm ² - 240 mm ²	1-3		36352-0010	1	E ³ Zub.			on demand



36351-0010

V-clamp steel for multiple use terminal V-shaped

Properties:
- retrofits by multiple use terminal size 1 - 3
- set = 3 pcs.

Description	Size	Amps	Order-No.	PU	PG	Sur. Ag	Sur. Cu	Price €/pc.
V-clamp steel for multiple use terminal V-shaped, 25-240 rm, 35-300 re, 50-240 sm, 50-300 se	1-3		36351-0010	1	E ³ Zub.			27,50



36404-0010

PEN-connection with lug

Properties:
- for V-clamps
- twist prevention

Description	Size	Amps	Order-No.	PU	PG	Sur. Ag	Sur. Cu	Price €/pc.
PEN-connection with lug and twist prevention, terminal V2 shaped an MD-clamp 25-300 mm ²	1-3		36404-0010	1	E ³ Zub.			7,80



36444-0010

E³-special connecting set for 2 x 300 mm²

Properties:
- for E³-NH Fuse-Switches, size 1 - 3
- each phase 2 x max. 300 mm²

Description	Size	Amps	Order-No.	PU	PG	Sur. Ag	Sur. Cu	Price €/pc.
E ³ -special connecting set for 2 x 300 mm ²	1-3		36444-0010	1	E ³ Zub.			on demand



36435-0010

Terminal cover long

Properties:
- for E³-special connecting set for 2 x 300 mm², 36444-0010
- perfect protection against accidental touching

Description	Size	Amps	Order-No.	PU	PG	Sur. Ag	Sur. Cu	Price €/pc.
Special terminal cover for the connecting set 2x300 mm ²	1-3		36435-0010	1	E ³ Zub.			on demand

Covers for E³-NH-Fuse-Switches, vertical design, size 1 - 3



Phase barrier

Properties:

- phase barrier for the terminal
- for using long cable lugs
- length 95 mm

36381-0010

Description	Size	Amps	Order-No.	PU	PG	Sur. Ag	Sur. Cu	Price €/pc.
Phase barrier by using longer cable lugs, length 95 mm	1-3		36381-0010	1	E ³ Zub.			on demand



Terminal cover, short

Properties:

- for V-clamps or the box terminal

36438-0010

Description	Size	Amps	Order-No.	PU	PG	Sur. Ag	Sur. Cu	Price €/pc.
Blank panel cover, with distance bolts, with 100 mm	1-3		36438-0010	1	E ³ Zub.			15,60



Angle bracket

Properties:

- mounting sidewise or top
- 5 mm grid
- to clip-on the universal sideframe
- with thread M6 or PT screws 3,5 mm
- for mounting the protection cover

36331-0010

Description	Size	Amps	Order-No.	PU	PG	Sur. Ag	Sur. Cu	Price €/pc.
Sidewise angle bracket for mounting the sideframe universal, height adjustable	00-3		36331-0010	1	E ³ Zub.			7,30



Sideframe universal for E³, length 850 mm

Properties:

- plug-on 36331-0010
- can cover all sides

36390-0010

Description	Size	Amps	Order-No.	PU	PG	Sur. Ag	Sur. Cu	Price €/pc.
Sideframe universal for E ³ , length 850 mm			36390-0010	1	E ³ Zub.			23,40

Covers for E³-NH-Fuse-Switches, vertical design, size 1 - 3



36727-0010

Lateral cover

Properties:

- lateral covering of the busbars
- direct mounting onto the E³-NH Fuse-Switch

Description	Size	Amps	Order-No.	PU	PG	Sur. Ag	Sur. Cu	Price €/pc.
Protection cover for lateral mounting	1-3		36727-0010	1	E ³ Zub.			on demand



36409-0010

Blank panell cover

Properties:

- covering the busbars

Description	Size	Amps	Order-No.	PU	PG	Sur. Ag	Sur. Cu	Price €/pc.
Blank panel, direkt mounting onto the busbars, with 100 mm	1-3		36409-0010	1	E ³ Zub.			on demand



36410-0010

Blank panel cover, direkt mounting onto the busbars, with 100 mm	1-3		36410-0010	1	E ³ Zub.			on demand
--	-----	--	-------------------	---	---------------------	--	--	-----------



36356-0010

Identification holder

Properties:

- for additional information
- alternative covering on the top

Description	Size	Amps	Order-No.	PU	PG	Sur. Ag	Sur. Cu	Price €/pc.
Identification holder, to clip on top or bottom	1-3		36356-0010	1	E ³ Zub.			on demand

Covers for E³-NH-Fuse-Switches, vertical design, size 1 - 3



36407-0010

Clip-on cover for handle

- Properties:**
- for size 1 - 3
 - colour red
 - 1 Set = 3 pcs.

Description	Size	Amps	Order-No.	PU	PG	Sur. Ag	Sur. Cu	Price €/pc.
Clip-on cover for handle, red	1-3		36407-0010	1	E ³ Zub.			4,90



36375-0010

Microswitch for position indicating

- Properties:**
- microswitch, opener or closer
 - 2 A / 250 Vac connection 2,8 x 0,5 mm
 - for 3-pole switching please use 2 microswitches

Description	Size	Amps	Order-No.	PU	PG	Sur. Ag	Sur. Cu	Price €/pc.
Microswitch for position indicating (1 set = 6 pcs.)			36375-0010	1	E ³ Zub.			30,15



36379-0010

Locking window

- Properties:**
- to lock the sliding window
 - mounting inside the switch
 - 1 Set = 3 pcs.

Description	Size	Amps	Order-No.	PU	PG	Sur. Ag	Sur. Cu	Price €/pc.
Locking window against power theft			36379-0010	1	E ³ Zub.			3,45

Low Voltage Current Transformer for the E³-NH Fuse-Switches, vertical design, size 1-3



77150-1836

Low Voltage Current Transformer for the E³-NH Fuse-Switches, vertical design, size 1-3

- Properties:**
- Single Current Transformer, accuracy class 1 or 0,5s, box terminal 6 mm²

Description	Size	Amps	Order-No.	PU	PG	Sur. Ag	Sur. Cu
150/5A, 2,5 VA, Kl. 1	1-3		77150-1533	1	E ³ Zub.		40,55
250/5A, 5 VA, Kl. 1	1-3		77150-1743	1	E ³ Zub.		40,55
400/5A, 5 VA, Kl. 1	1-3		77150-1943	1	E ³ Zub.		40,55
600/5A, 5 VA, Kl. 1	1-3		77150-2143	1	E ³ Zub.		40,55
300/5A, 2,5 VA, Kl. 0,5s	1-3		77150-1836	1	E ³ Zub.		57,15
600/5A, 5 VA, Kl. 0,5s	1-3		77150-2146	1	E ³ Zub.		57,15
400/1A, 5 VA, Kl. 1	1-3		77150-6943	1	E ³ Zub.		40,55
600/1A, 5 VA, Kl. 1	1-3		77150-7143	1	E ³ Zub.		40,55

Device carrier for the E^3 -NH Fuse-Switches, vertical design



36420-0010

Metal device carrier

Properties:

- for mounting onto the E^3 -NH Fuse-Switches, vertical design, size 1 - 3
- disconnect terminal holder
e.g. in combination with multimeasurement devices
- mounting and earth screws included

Description	Size	Amps	Order-No.	PU	PG	Sur. Ag	Sur. Cu	Price €/pc.
Metal device carrier			36420-0010	1	E ³ Zub.			31,30



36421-0010

Metal device carrier, with DIN-adaptor and disconnect terminal holder, length 352 mm

Properties:

- for mounting onto the E^3 -NH Fuse-Switches, vertical design, size 1 - 3
- one DIN adapter
- disconnect terminal holder
- mounting and earth screws included

Description	Size	Amps	Order-No.	PU	PG	Sur. Ag	Sur. Cu	Price €/pc.
Metal device carrier, with DIN-adaptor and disconnect terminal holder, length 352 mm			36421-0010	1	E ³ Zub.			49,90



36374-0010

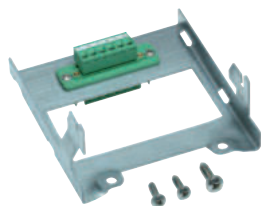
Metal device carrier, with DIN-adaptor and disconnect terminal holder, length 352 mm

Properties:

- for mounting onto the E^3 -NH Fuse-Switches, vertical design, size 1 - 3
- two DIN adapters and clamps
- mounting and earth screws included

Description	Size	Amps	Order-No.	PU	PG	Sur. Ag	Sur. Cu	Price €/pc.
Metal device carrier, with 2 DIN-adaptor and disconnect terminal holder			36374-0010	1	E ³ Zub.			65,50

Device carrier for the E³-NH Fuse-Switches, vertical design



36370-0010

Metal device carrier, with plug-connection 6-pole for cable 2,5 mm², 250 V / 12 A

Properties:

- for mounting onto the E³-NH Fuse-Switches, vertical design, size 1 - 3
- clamp diameter 2,5 mm²
- 250 V / 12 A
- for wiring microswitch or ct's
- mounting and earth screws included

Description	Size	Amps	Order-No.	PU	PG	Sur. Ag	Sur. Cu	Price €/pc.
Metal device carrier, depth, with plug-connection 6-pole for cable 2,5 mm ² , 250 V / 12 A			36370-0010	1	E ³ Zub.			32,70



36419-0010

Metal device carrier, with DIN-adapter and disconnect terminal holder, length 352 mm

Properties:

- for mounting onto the E³-NH Fuse-Switches, vertical design, size 1 - 3
- for mounting devices and clamps
- mounting and earth screws included

Description	Size	Amps	Order-No.	PU	PG	Sur. Ag	Sur. Cu	Price €/pc.
Metal device carrier, with DIN-adapter			36419-0010	1	E ³ Zub.			28,90



36371-0010

Metal device carrier with DIN-adapter

Properties:

- for mounting onto the E³-NH Fuse-Switches, vertical design, size 1 - 3
- one DIN adapter
- mounting and earth screws included

Description	Size	Amps	Order-No.	PU	PG	Sur. Ag	Sur. Cu	Price €/pc.
Metal device carrier with DIN-adapter			36371-0010	1	E ³ Zub.			44,90



36372-0010

Metal device carrier, with plug-connection 6-pole for cable 2,5 mm², 250 V / 12 A

Properties:

- for mounting onto the E³-NH Fuse-Switches, vertical design, size 1 - 3
- one DIN adapter
- 6-pole plug-connection
- clamp diameter 2,5 mm²
- 250 V / 12 A
- mounting and earth screws included

Description	Size	Amps	Order-No.	PU	PG	Sur. Ag	Sur. Cu	Price €/pc.
Metal device carrier, with plug-connection 6-pole for cable 2,5 mm ² , 250 V / 12 A			36372-0010	1	E ³ Zub.			48,80



36373-0010

Metal device carrier, with DIN-adapter and disconnect terminal holder, length 225 mm

Properties:

- for mounting onto the E³-NH Fuse-Switches, vertical design, size 1 - 3
- one DIN adapter
- disconnect terminal holder depth
- mounting and earth screws included

Description	Size	Amps	Order-No.	PU	PG	Sur. Ag	Sur. Cu	Price €/pc.
Metal device carrier, with DIN-adapter and disconnect terminal holder, length 225 mm			36373-0010	1	E ³ Zub.			47,20

Click-on device frames (plastic) for the E³-NH Fuse-Switches, vertical design



36422-0010

Click-on device frame, length 120 mm, cut out 72 x 72 mm

Properties:

- for disappearing amper meter
- carrier can be added

Description	Size	Amps	Order-No.	PU	PG	Sur. Ag	Sur. Cu	Price €/pc.
Click-on device frame, length 120 mm, cut out 72 x 72 mm, for flush mounting	1-3		36383-0010	1	E ³ Zub.			8,35
Click-on device frame, length 120 mm, cut out 96 x 96 mm, for flush mounting	1-3		36422-0010	1	E ³ Zub.			15,60
Click-on device frame, length 120 mm, blind element for covering	1-3		36423-0010	1	E ³ Zub.			15,60



36437-0010

Click-on device frame, length 120 mm, cut out 96 x 96 mm

Properties:

- covering
- adjusts length up to 100 mm
- installation depth 150 mm

Description	Size	Amps	Order-No.	PU	PG	Sur. Ag	Sur. Cu	Price €/pc.
Click-on device frame, length 120 mm, blind element for covering and adjusting			36437-0010	1	E ³ Zub.			15,60



36424-0010

Click-on device frame, length 97 mm

Properties:

- for disappearing amper meter

Description	Size	Amps	Order-No.	PU	PG	Sur. Ag	Sur. Cu	Price €/pc.
Click-on device frame, length 97 mm, cut out 72 x 72 mm			36424-0010	1	E ³ Zub.			8,35
Click-on device frame, length 97 mm, blind element for covering			36425-0010	1	E ³ Zub.			15,60



36427-0010

Click-on device frame, length 97 mm, for plug-in measurement devices

Properties:

- for plug-in measurement devices

Description	Size	Amps	Order-No.	PU	PG	Sur. Ag	Sur. Cu	Price €/pc.
Click-on device frame, length 97 mm, for plug-in measurement devices, 1-phase			36426-0010	1	E ³ Zub.			on demand
Click-on device frame, length 97 mm, for plug-in measurement devices, 3-phase			36427-0010	1	E ³ Zub.			30,15



36428-0010

Click-on device cover

Properties:

- plug able to the E³-NH Fuse-Switches, vertical design
- cut out for devices with 45-90 mm width

Description	Size	Amps	Order-No.	PU	PG	Sur. Ag	Sur. Cu	Price €/pc.
Click-on device cover, cut out for devices with 45-90 mm width			36428-0010	1	E ³ Zub.			on demand



36434-0010

Sealing kit for the click-on device cover

Properties:

- for the 36428-0010
- for D01 bases and other devices

Description	Size	Amps	Order-No.	PU	PG	Sur. Ag	Sur. Cu	Price €/pc.
Sealing kit for the click-on device cover 36428-0010			36434-0010	1	E ³ Zub.			on demand

Multifunction measurement devices



36360-0010

Multifunctional measurement device EM 10

Properties:

- for measurement, monitoring and communication
- auxiliary voltage supply Us 110...160 V AC
- combination with device carrier 36422-0010

Description	Size	Amps	Order-No.	PU	PG	Sur. Ag
Multifunctional measurement device EM 10 96x96x60 Aux 110-400 V AC	36360-0010	1	EM			220,00
Software Control Vision	36364-0010	1	EM			910,00
IP65 protection cover	36365-0010	1	EM			37,00



36361-0010

Plug-in moduls EM 10

Properties:

- for EM 10
- backside mounting
- installation depth modul: 20 mm

Description	Size	Amps	Order-No.	PU	PG	Sur. Ag
Plug-in modul EM 10 pulses output	36361-0010	1	EM			44,00
Plug-in modul EM 10 communication	36361-0020	1	EM			114,00



36362-0010

Multifunctional measurement device EM 30

Properties:

- Multifunctional measurement
- energy monitoring
- visualisation
- harmonic analyses
- monitoring and controlling
- energy management
- net quality
- data bank

Description	Size	Amps	Order-No.	PU	PG	Sur. Ag
Multifunctional measurement device EM 30 96x96x60 Aux 110-400 V AC	36362-0010	1	EM			307,00
Multifunctional measurement device EM 30 96x96x60 Aux 12-48 V AC	36362-0020	1	EM			432,00
Software Control Vision	36364-0010	1	EM			910,00
IP65 protection cover	36365-0010	1	EM			37,00



36363-0010

Plug-in moduls EM 30

Properties:

- for EM 30
- backside mounting
- installation depth modul: 20 mm

Description	Size	Amps	Order-No.	PU	PG	Sur. Ag
Plug-in modul EM 30 pulses output	36363-0010	1	EM			46,00
Plug-in modul EM 30 JBUS/MODBUS	36363-0030	1	EM			85,00
Plug-in modul EM 30 PROFIBUS	36363-0040	1	EM			257,00
Plug-in modul EM 30 monitoring/controlling	36363-0050	1	EM			110,00
Plug-in modul EM 30 Ethernet connection	36363-0060	1	EM			260,00
Plug-in modul EM 30 Ethernet RS485 Gateway connection	36363-0070	1	EM			505,00
Plug-in modul EM 30 memory modul	36363-0080	1	EM			421,00
Plug-in modul EM 30 temperature indicating	36363-0090	1	EM			146,00
Plug-in modul EM 30, analog outgoing	36363-0100	1	EM			156,00

E³-NH Fuse-Switches, vertical design, Accessories for wiring current transformers and metering



36431-0010

Wiring kit for voltage cut-out

Description	Size	Amps	Order-No.	PU	PG	Sur. Ag	Sur. Cu	Price €/pc.
Wiring kit for voltage cut-out			36431-0010	1	E ³ Zub.			on demand



36430-0010

Wiring kit for current transformers

Description	Size	Amps	Order-No.	PU	PG	Sur. Ag	Sur. Cu	Price €/pc.
1-phase wiring kit for current transformers, secondary wire 2,5 mm ² , black no. 1-6, rated impuls voltage 3 kV			36429-0010	1	E ³ Zub.			on demand
3-phase wiring kit for current transformers, secondary wire 2,5 mm ² , black no. 1-6, rated impuls voltage 3 kV			36430-0010	1	E ³ Zub.			on demand



36382-0020

Cable holder for click-on E³

Description	Size	Amps	Order-No.	PU	PG	Sur. Ag	Sur. Cu	Price €/pc.
Cable holder for click-on for mounting backside of the E ³ -NH-Fuse-Switches, vertical design			36382-0010	1	E ³ Zub.			6,25

Product range overview

Type	Size 00	Size 1	Size 2	Size 3
Busbar system 60 mm	•			
Busbar system 100 mm	•			
Busbar system 185 mm	•	•	•	•
Hook contacting onto busbars	•	•	•	•
Multiple use terminal (screw terminal)	•	•	•	•
Pressure plates for Cu conductors	•			
Pressure plates with prism for Cu/Al conductors	•			
Threaded bolt M12x30		•	•	•
Inserted screw nut		•	•	•
Box terminal (95 mm ²)	•			
V2N-shaped		•	•	•
Microswitch for position indicating	•	•	•	•
Electronic fuse monitoring	•	•	•	•

Technical data for NH Fuse-Switches, vertical design acc. To VDE 0660 T107 / IEC/EN 60947-3

	Unit	00/60	00/100	00/185	1	2	3	
For NH Fuse-Links acc. to DIN 43620/1	Size	000/00	000/00	000/00	1	2	3	
Rated operational current I _e	400V	A	160	160	160	250	400	630
	500V	A	160	160	160	250	400	630
	690V	A	160	160	160	200	315	500
Conventional free air thermal current I _{th}	A	220	220	220	250	400	630	
Rated operational voltage U _e	V	690	690	690	690	690	690	
Rated insulation voltage U _i	V	1.000	1.000	1.000	1.000	1.000	1.000	
Rated impuls withstand voltage U _{imp}	kV	8	8	8	12	12	12	
Rated conditional short circuit current (when protected by NH Fuse-Links)	400V	kA	100	100	120	120	120	120
	500V	kA	100	100	120	120	120	120
	690V	kA	100	100	100	100	100	100
Utilization category VDE 0660 T107 / EN/IEC 60947-3	400V		AC-23B	AC-23B	AC-23B	AC-23B	AC-23B	AC-23B
	500V		AC-22B	AC-22B	AC-22B	AC-22B	AC-22B	AC-22B
	690V		AC-22B	AC-22B	AC-22B	AC-21B	AC-21B	AC-21B
Mechanical durability	Cycles	1.400	1.400	1.400	1.400	800	800	
Electrical durability	Cycles	200	200	200	200	200	200	
Permissible ambient air temperature	C°	-25 to +55	-25 to +55	-25 to +55	-25 to +55	-25 to +55	-25 to +55	
Type of protection acc. DIN/EN 60529/VDE 0470 T1	IP	30	30	30	20	20	20	
Maximum power dissipation of the NH Fuse-Links	W	12	12	12	23	34	48	
Total power loss at I _{th} (without fuse links)	W	20	20	22	27	56	111	
Degree of pollution		3	3	3	3	3	3	
Overvoltage category		IV	IV	IV	IV	IV	IV	
Rated frequency	Hz	50-60	50-60	50-60	50-60	50-60	50-60	
Weight without NH Fuse-Links	kg	1,20	1,30	2,00	4,70	5,00	5,60	

Conductor types and - sizes

Type of terminal	Conductortype		Size 00	Size 1	Size 2	Size 3
Multiple use terminal (screw terminal)			M8	M12	M12	M12
Pressure plates	Cu	re/rm/sm	1,5 - 25			
Pressure plates with prism	Cu/Al	re/rm/se/sm	1,5 - 95			
Box terminal (95 mm ²)	Cu	re/rm/se/sm	2,5 - 95			
V2N-shaped	Cu	re/rm/se/sm		25 - 240	25 - 240	25 - 240
V2N-shaped	Al	re/rm/se/sm		25 - 240	25 - 240	25 - 240

E³-NH Fuse-Switches, vertical design 1000 A and 2000 A

Technical data

Technical data acc. IEC/EN 60947-1/-3

Size	Description	Unit	1000 A
Rated operational voltage	U _e	Vac	690
Rated operational current	I _e	A	1000
Rated insulation voltage	U _i	Vac	1000
Rated impuls withstand voltage	U _{imp}	kV	12
Rated frequency	I _{cw}	Hz	50-60
Rated conditional short circuit current by fuse-links		kA	15
Rated conditional short circuit current by solid links, 1 second			25*
Utilisation category AC	400 V 500 V 690 V		AC-22B AC-21B AC-21B
Mechanical durability Cycles		n	800
Electrical durability Cycles		n	200
Maximum power dissipation without fuse links		W	270
IP protection acc. IEC 60529 with cover front lid closed front lid closed	IP IP		20C 10
Permissible ambient air temperature	T _u	°C	-25 to +55
Degree of pollution			3
Overvoltage category			IV
Material	All material are ROHS conform.		

* by using the additional locking kit

Current transformer block and single transformer class 0,5s for size 00

Technical data acc. VDE 0414 T 44-1 / IEC/EN 60044-1

Primary rated current	I_{1N}	300 A, 600 A, 800 A
Rated secondary current	I_{2N}	5 A
Rated frequency		50-60 Hz
Highest voltage for equipment	U_m	720 V
Rated power-frequency withstand voltage (r.m.s)		3 kV
Instrument security factor (FS)		FS 5
Rated continuous thermal current		$1,2 \times I_{1N}$
Current rating		120% 800 A = 100%
Rated short-time thermal current		$I_{th} = 60 \times I_{1N}$ max. 50 kA
Rated dynamic current		$I_{dyn} = 2,5 \times I_{th}$ max. 120 kA
Permissible ambient temperature		-25° C up to +55° C
Class of insulation in accordance with IEC 60085		E
Degree of protection DIN/EN 60529/VDE 0470 T1		IP 20
Hull type		Closed plastic hull
Hull material		Polyamid 6
Typ of connection:		Box terminal 1,5-4 mm ²
Tightening torque secondary terminals		0,8 Nm
PTB approved		on demand

Current transformer size 1 - 3

Technical data acc. VDE 0414 T 44-1 / IEC/EN 60044-1

Primary rated current	I_{1N}	150-1000 A
Rated secondary current	I_{2N}	1 and 5 A
Rated frequency		50-60 Hz
Highest voltage for equipment	U_m	720 V
Rated power-frequency withstand voltage (r.m.s)		3 kV
Instrument security factor (FS)		FS 5
Rated continuous thermal current		$1,2 \times I_{1N}$
Current rating		120% 1000 A = 100%
Rated short-time thermal current		$I_{th} = 60 \times I_{1N}$ max. 50 kA
Rated dynamic current		$I_{dyn} = 2,5 \times I_{th}$ max. 120 kA
Permissible ambient temperature		-25° C to +55° C
Class of insulation in accordance with IEC 60085		E
Degree of protection DIN/EN 60529/VDE 0470 T1		IP 20
Hull type		Closed plastic hull
Hull material		Polyamid 6
Typ of connection:		Box terminal 1,5-4 mm ² Litz with sleeve
Tightening torque secondary terminals		0,8 Nm

The technical data for the PSR 253 please see chapter NW, page 305

Recommended wire for current transformer class 1

Halogen free wire 2,5 mm²
 Temperature-resistant 105° C
 Test voltage 2500 V

Accuracy limit of current transformers class 0,2 to 3 acc. DIN IEC 60044/1

Class	Error by					Error angle by				
	1,2 I _n 1,0 I _n	0,2 I _n	0,1 I _n	0,05 I _n	0,01 I _n	1,2 I _n 1,0 I _n	0,2 I _n	0,1 I _n	0,05 I _n	0,01 I _n
	%	%	%	%	%	min	min	min	min	min
0,2	0,2	0,35		0,75	0	10	15		30	
0,2 s	0,2	0,2		0,35	0,75	10	10		15	30
0,5	0,5	0,75		1,5		30	45		90	
0,5 s	0,5	0,5		0,75	1,5	30	30		45	90
1	1	1,5		3		60	90		180	
3	3					120,0*				

* by 0,5 I_n and continuous thermal current

Power consumption of the ampere meter and the wire

Electronical ampere meter have a power consumption of less 1 VA.

The remaining power consumption result in defined cable length between the ct and the meter.

Power consumption of two wire cable in VA for secondary currents of 5 A.

Cross-section	Power consumption in VA acc. to cable length									
	1 m	2 m	4 m	6 m	8 m	10 m	15 m	20 m	30 m	40 m
1,5 mm²	0,60	1,19	2,38	3,57	4,76	5,95	8,93	11,90	17,86	23,81
2,5 mm²	0,36	0,71	1,43	2,14	2,86	3,57	5,36	7,14	10,71	14,29
4 mm²	0,22	0,45	0,89	1,34	1,79	2,23	3,35	4,46	6,70	8,93
6 mm²	0,15	0,30	0,60	0,89	1,19	1,49	2,23	2,98	4,46	5,95
10 mm²	0,09	0,18	0,36	0,54	0,71	0,89	1,34	1,79	2,68	3,57

Power consumption of two wire cable in VA for secondary currents of 5 A.

Cross-section	Power consumption in VA acc. to cable length									
	10 m	20 m	30 m	40 m	50 m	60 m	70 m	80 m	90 m	100 m
1 mm²	0,36	0,71	1,07	1,43	1,79	2,14	2,50	2,86	3,21	3,57
1,5 mm²	0,24	0,48	0,71	0,95	1,19	1,43	1,67	1,90	2,14	2,38
2,5 mm²	0,14	0,29	0,43	0,57	0,71	0,86	1,00	1,14	1,29	1,43
4 mm²	0,09	0,18	0,27	0,36	0,45	0,54	0,63	0,71	0,80	0,89
6 mm²	0,06	0,12	0,18	0,24	0,30	0,36	0,42	0,48	0,54	0,60
10 mm²	0,04	0,07	0,11	0,14	0,18	0,21	0,25	0,29	0,32	0,36

The power consumption of metering-device and cable connection should be between the rated power output (rated burden) and 1/4 the rated power output of the current transformer. The the secondary current will be inside the given precision class of the current transformer.

$S_{CT} > 2,5VA$ $S_{CT} \leq 2,5VA$	$S_{CT} > S_{Cable} + S_{Meter} > \frac{1}{4} S_{CT}$ $S_{CT} > S_{Cable} + S_{Meter} > \frac{1}{2} S_{CT}$
S _{CT}	Rated power output of the CT (rated burden)
S _{Cable}	Power consumption of the cable connection
S _{Meter}	Power consumption of the metering device

Recommended wire for current transformer class 1

Halogen free wire 2,5 mm²

Cable isolation of Polyefin, high temperature resistant

Tempereature resistant up to 150 C°

Test voltage 2500 V


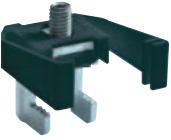

Attention:





These data are only in combination with the E³-NH Fuse-Switches, vertical design

Current measurement	EM 10	EM 30
Current (3I, In)	•	•
Phase-to-phase and phase-to-neutral voltage distortion (3U, 3V)	•	•
Frequency (F)	•	•
Active-, reactive-, apparent- and total power (+ΣP, +ΣQ, ΣS)	•	
Active-, reactive-, apparent power per phase and total (±3P, ±3Q, 3S, ±ΣP, ±ΣQ, ΣS)		•
Total power factor (ΣPF)	•	
Power factor per phase and summary (3PF ^{L/C} , ΣPF ^{L/C})		•
Measurement of the max. and average values		
Max. current (3I, In)	•	•
Phase-to-phase and phase-to-neutral voltage distortion and frequency (3U, 3V, F)		•
Total active power (ΣP+)	•	
Total active-, reactive-, apparent- power (±ΣP, ±ΣQ, ΣS)		•
Measurement of the energy quality		
Phase-to-phase factor for integrated current and voltage up to 31. Rang (THD 3I, 3V, 3U)	•	
Phase-to-phase factor for integrated current and voltage up to 51. Rang (THD 3I, In, 3V, 3U)		•
Meter		
Two squared active- and reactiv power (+kWh, +kvarh)	•	
Four squared active- and reactiv-and apparent power (±kWh, ±kvarh, kVAh)		•
Operating time metering, progamable onto voltage or current		•
Kind of metering		
Kind of network (3 P, 3 P+N and 1-phasig)	NS	NS/HS
Measurement of the TRMS up to harmonic wave		51
Accuracy of the metering		
Current and Voltage		0,2 %
Power		0,5 %
Frequency		0,1 %
Active power		Class 0,5S IEC 62053-22
Reactive power		Class 2 IEC 62053-23
Refreshment period		
Display		1 s
Incomming current		
Primary side of the ct		5 to 10000 A
Secondary side of the ct	5 A	5 A and 1 A
Metering range	5 mA up to 6 A	10 mA up to 20 A
Allowed overload		50 A - 1 s
Consumption	< 0,6 VA	< 0,1 VA
Connection of the sekundary side ot the ct to earth		yes
Voltage input		
Direct metering	50 up to 500 V AC	18 up to 700 V AC
Metering with voltabe transformer (secondary 60, 100, 110, 115, 120, 173 and 190 V)	Not available	up to 500 kV AC
Frequency		45 up to 65 Hz
Power supply		
Standard		110 to 400 V AC ±10 % / 120 up to 350 V DC ±20 %
On demand	Not available	12 up to 48 V DC -6/+20 % (not UL)
Input		
Typ	Not available	Optocoupler (10 up to 30 V DC)
Monitoring- and drive output		
Typ	Not available	Relais (230 V AC - 5 A - 1150 VA)
Pulse output		
Typ		Relais (100 V DC - 0,5 A - 10 VA)
Memory module		
Capacity	-	1024 kbits (512 Kb)





ε³-NH Fuse-Switches, vertical design
 Size 00

Technical data

Busbar mounting	Article no.	Busbar width	Screw	Drive	Tightening torques
		Busbar thickness 5-10 mm	M8	INB4	6 Nm
	36367-0010	Busbar thickness 5-10 mm	M8	INB4	7 Nm
	36376-0010	Busbar thickness 5-10 mm	M8x20	SW13	14 Nm

Terminal mounting	Description	Busbar width	Screw	Drive	Tightening torques
	36376-0010	Cable lug max. 95 mm ²	M8x14	SW13	14 Nm
	36377-0010	1,5-95 mm ² re, rm flat 16 x 10 mm	M5	PZ2	4 Nm
	36378-0010	1,5-95 mm ² re, rm, se, sm	M5	PZ2	4 Nm
	36366-0010	70-150 mm ² re, rm, se, sm	M5	INB3	4 Nm

Conductors





-  rm = round strandet conductor
-  re = round single-wire
-  sm = sektor strandet conductor 60°, 90°, 100° oder 120°
-  se = sektor single-wire 90° or 120°

E³-NH Fuse-Switches, vertical design
 Size 1 - 3

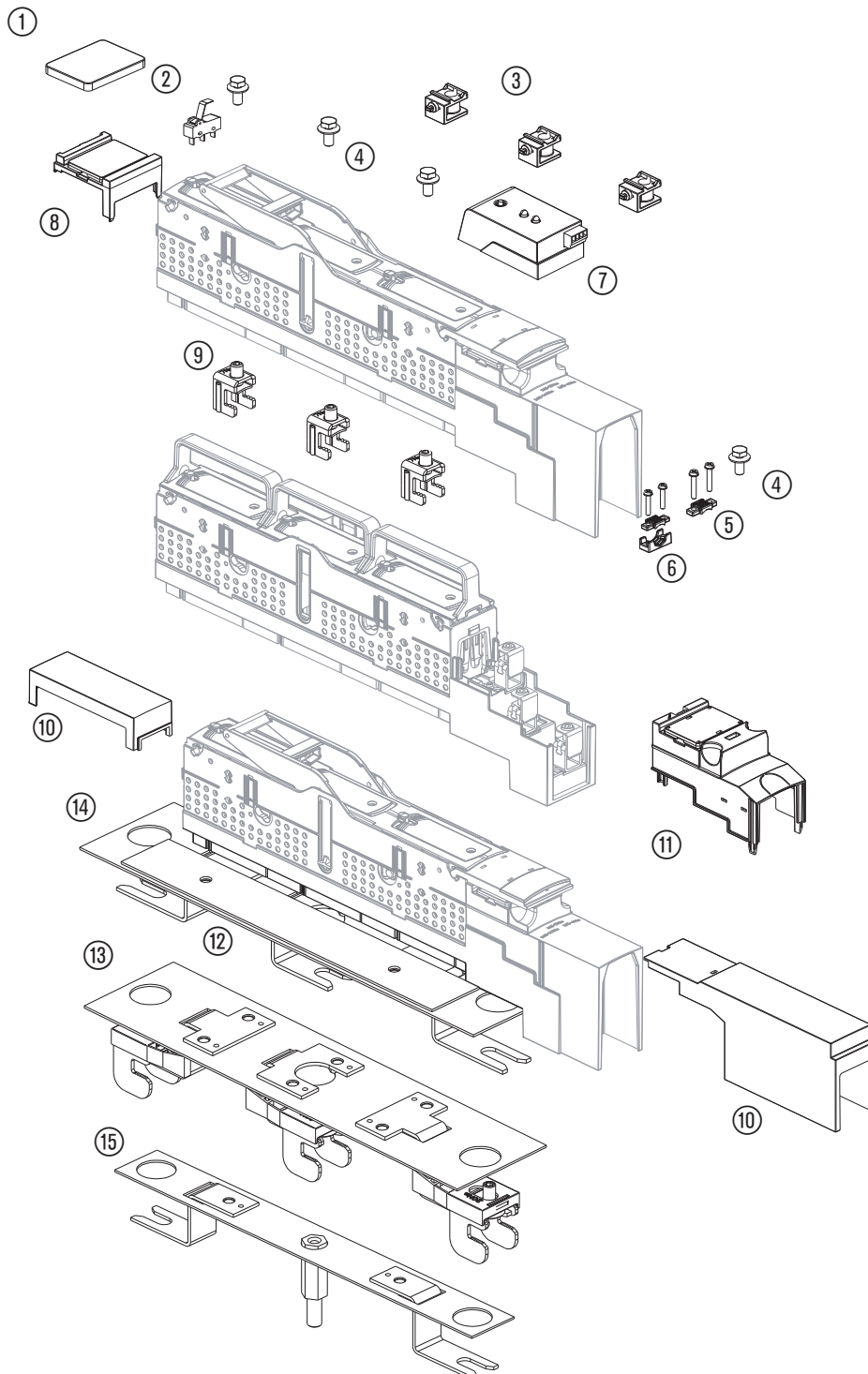
Technical data

Busbar mounting	Article no.	Busbar width	Screw	Drive	Tightening torques
	36354-0010	busbar thickness 5-10 mm busbar width max. 100 mm	M10	INB5	20 Nm
	36719-0010		M12 M12x30 M12x30	SW19 SW19 INB10	32 Nm 32 Nm 32 Nm
Terminal mounting					
	36719-0010		M12 M12x30 M12x30	SW19 SW19 INB10	32 Nm 32 Nm 32 Nm
	36350-0010	35-240 rm 35-300 re 50-300 sm/se	M12	INB6	35 Nm
	36298-0010	25-240 rm/re 35-240 sm 35-300 se	M12	INB6	35 Nm
	36353-0010	35-240 rm 35-300 re 50-240 sm 50-300 se	M12	INB6	35 Nm
	36351-0010	35-240 rm 35-300 re 50-240 sm 50-300 se	M12	INB6	35 Nm

Conductors

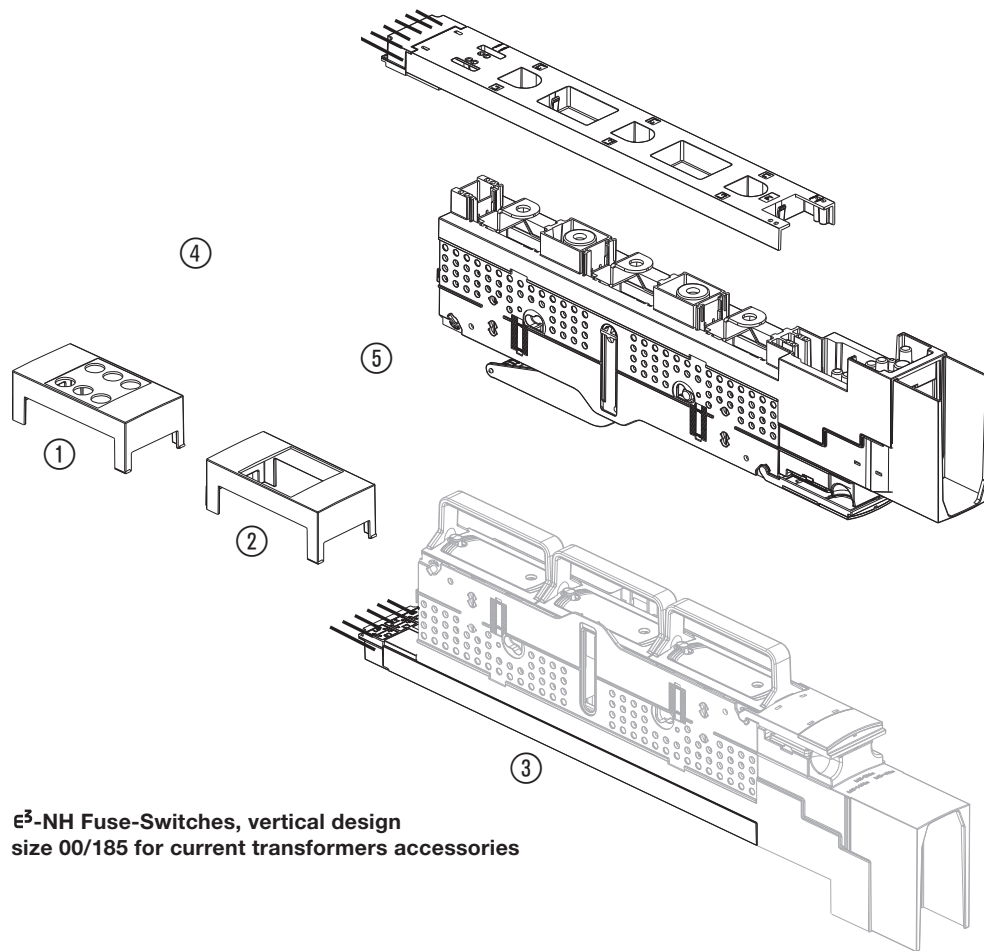
-  rm = round strandet conductor
-  re = round single-wire
-  sm = sektor strandet conductor 60°, 90°, 100° oder 120°
-  se = sektor single-wire 90° or 120°

E³-NH Fuse-Switches, vertical design
size 00/60 and 00/100
accessories

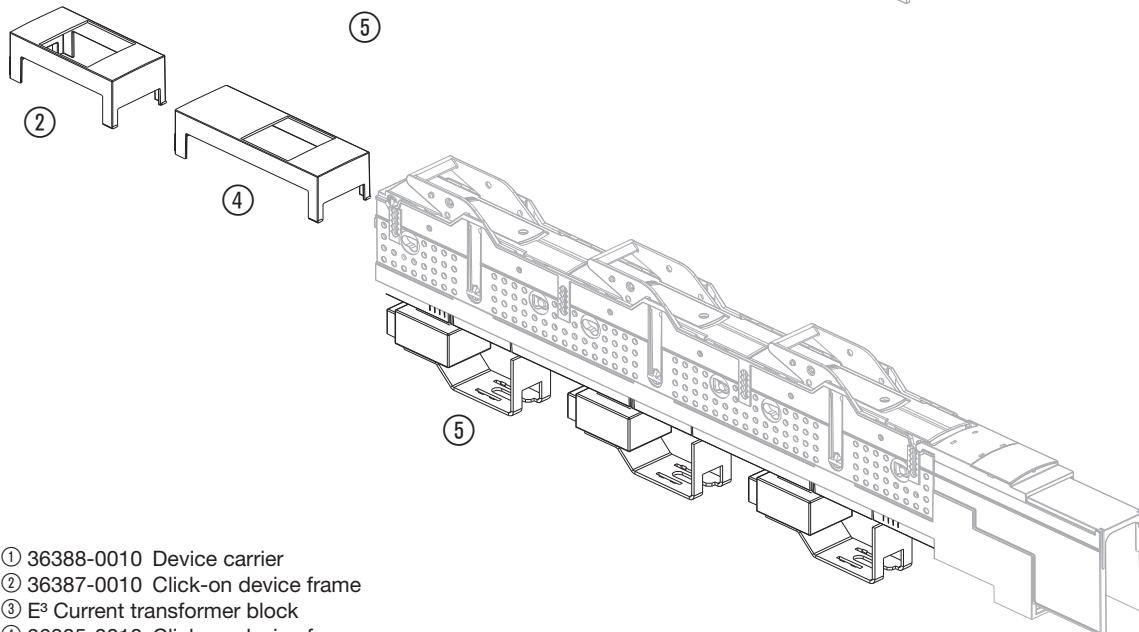


- | | |
|---|--------------------------------|
| ① 36380-0010 Identification Lable | ⑪ Terminal cover |
| ② 36335-0010 Microswitch | ⑫ 36728-0010 Blank panel cover |
| ③ 36331-0010 Angle bracket | ⑬ 36440-0010 Twin adapter |
| ④ 36376-0010 Screws | ⑭ 36337-0010 Twin adapter |
| ⑤ 36377-0010 Pressure plates | ⑮ 36339-0010 Single adapter |
| ⑥ 36378-0010 Pressure plates with prism | |
| ⑦ Electronical fuse monitoring | |
| ⑧ 36389-0010 Identification holder | |
| ⑨ Contact hooks | |
| ⑩ 36330-0010 Adjusting frame | |

**E³-NH Fuse-Switches, vertical design
size 00/100 for current transformers
accessories**

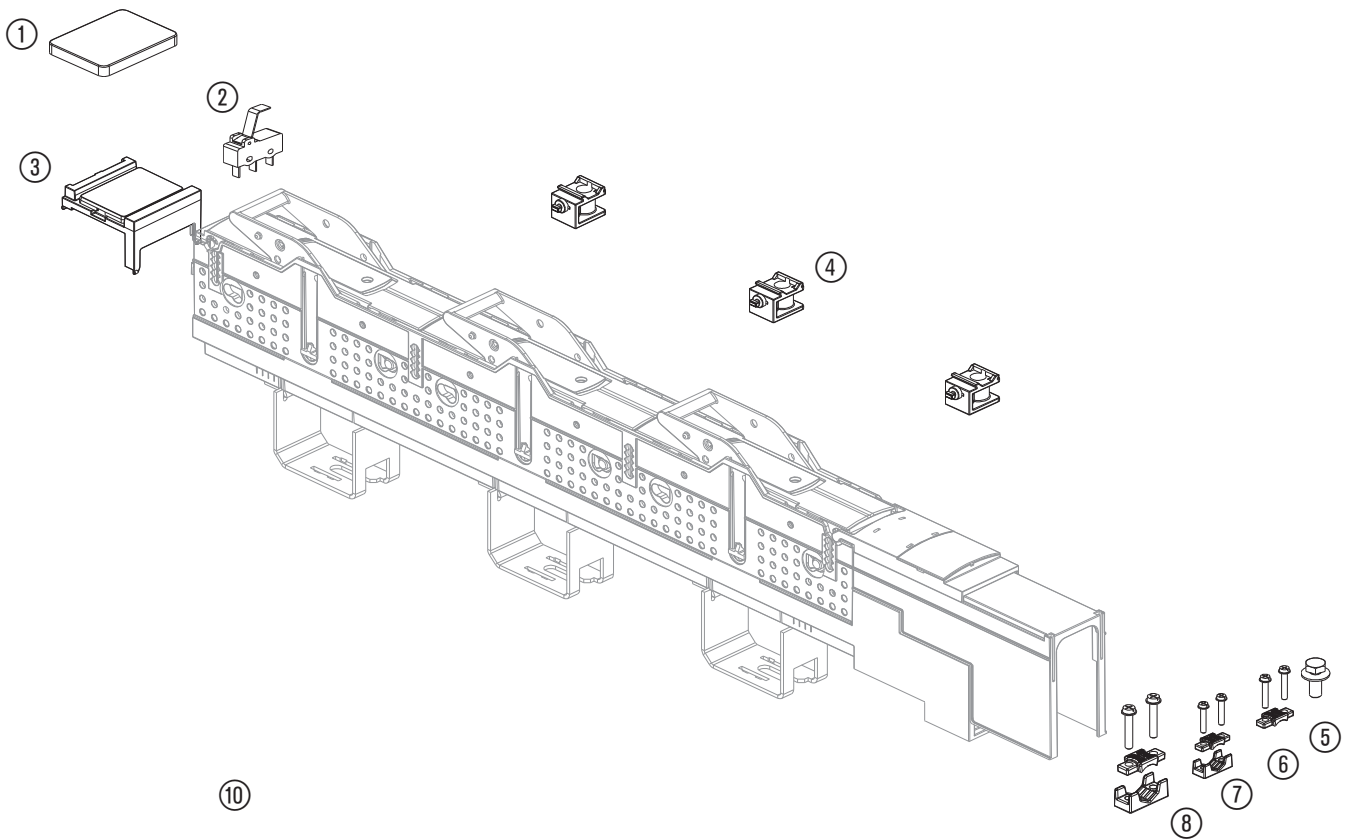


**E³-NH Fuse-Switches, vertical design
size 00/185 for current transformers accessories**



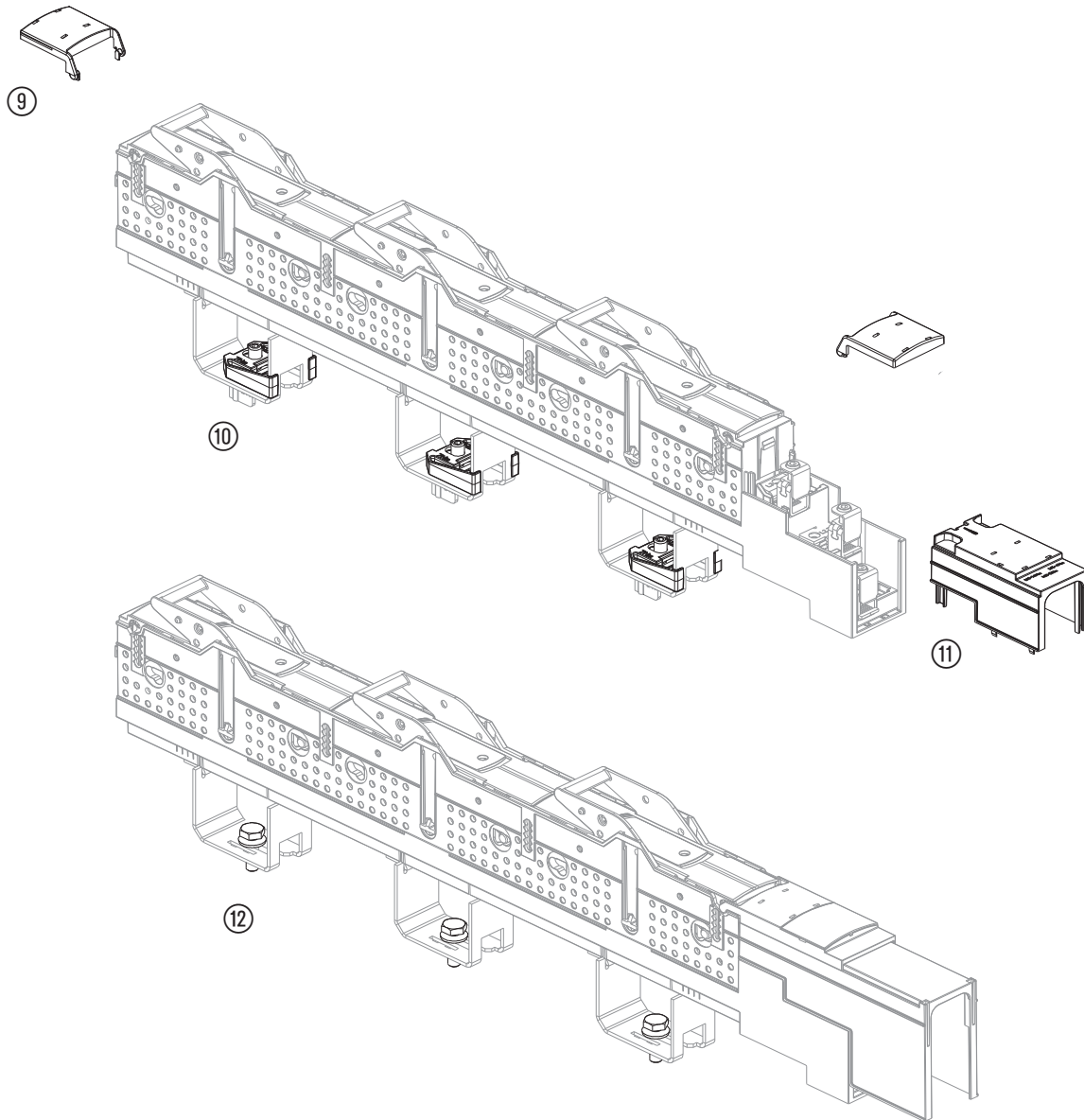
- ① 36388-0010 Device carrier
- ② 36387-0010 Click-on device frame
- ③ E³ Current transformer block
- ④ 36385-0010 Click-on device frame
- ⑤ Version for current transformer

E³-NH Fuse-Switches, vertical design
size 00/185 with elevated feeding bracket
accessories



- ① 36380-0010 Identification label
- ② 36335-0010 Microswitch
- ③ 36389-0010 Identification holder
- ④ 36331-0010 Angle bracket
- ⑤ 36376-0010 Screws
- ⑥ 36377-0010 Pressure plates
- ⑦ 36378-0010 Pressure plates
- ⑧ 36366-0010 Pressure plates

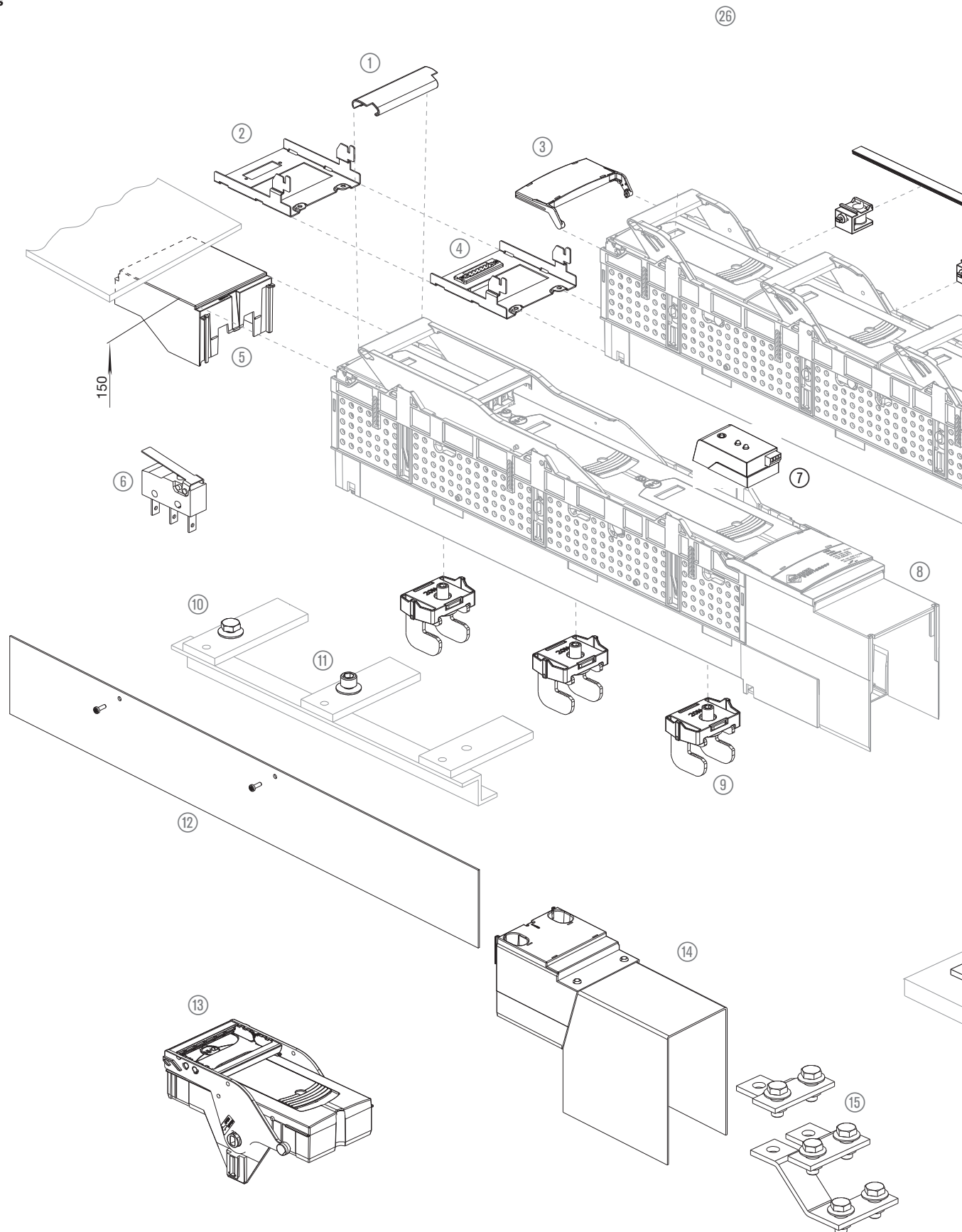
E³-NH Fuse-Switches, vertical design
size 00/185 with elevated feeding bracket
accessories

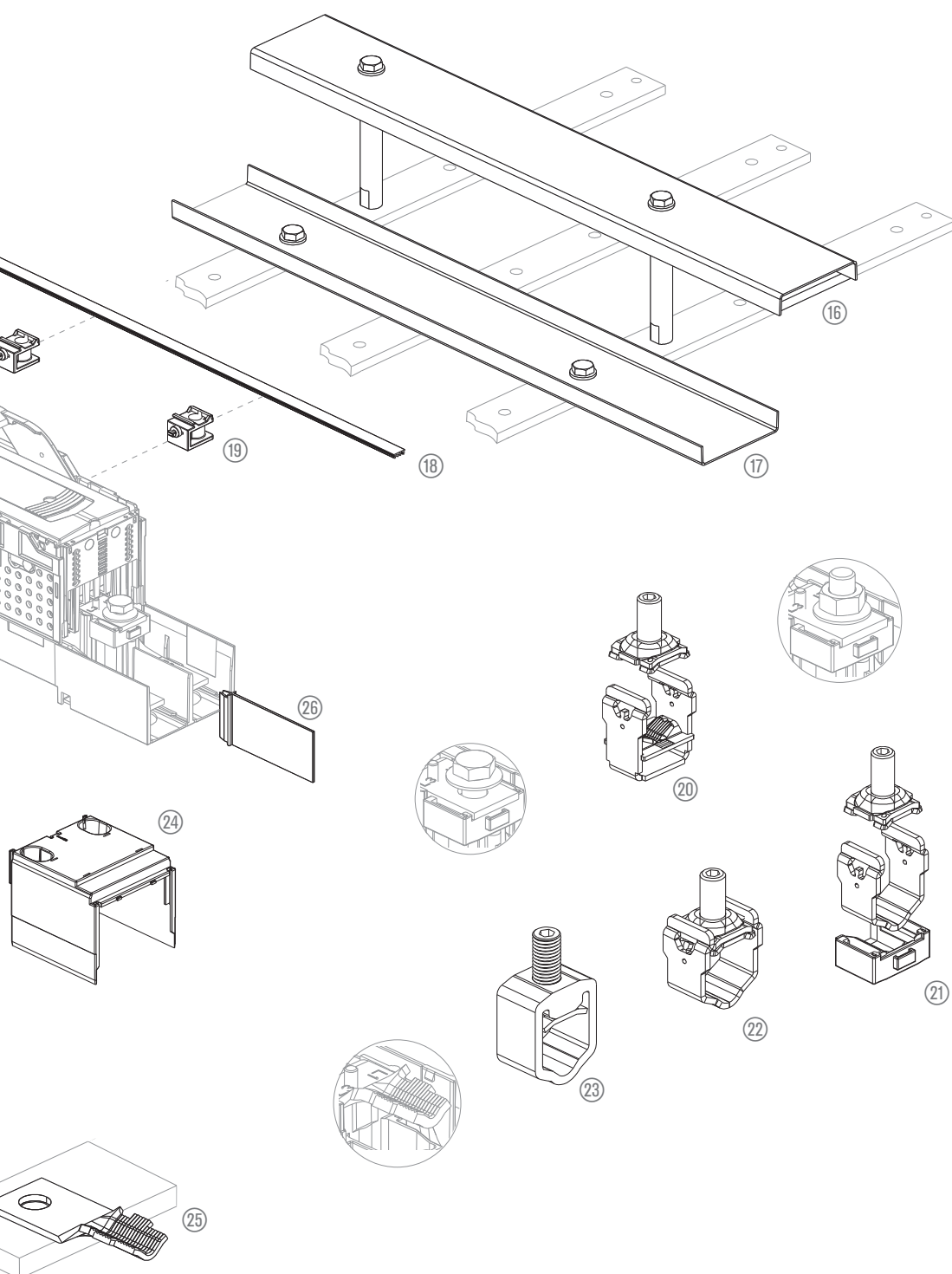


- ⑨ 36391-0010 Identification holder
- ⑩ 36367-0010 Contact hooks
- ⑪ Terminal cover
- ⑫ 36376-0010 Screws

E³-NH Fuse-Switches, vertical design

E³-NH Fuse-Switches, vertical design, size 1 - 3 accessories

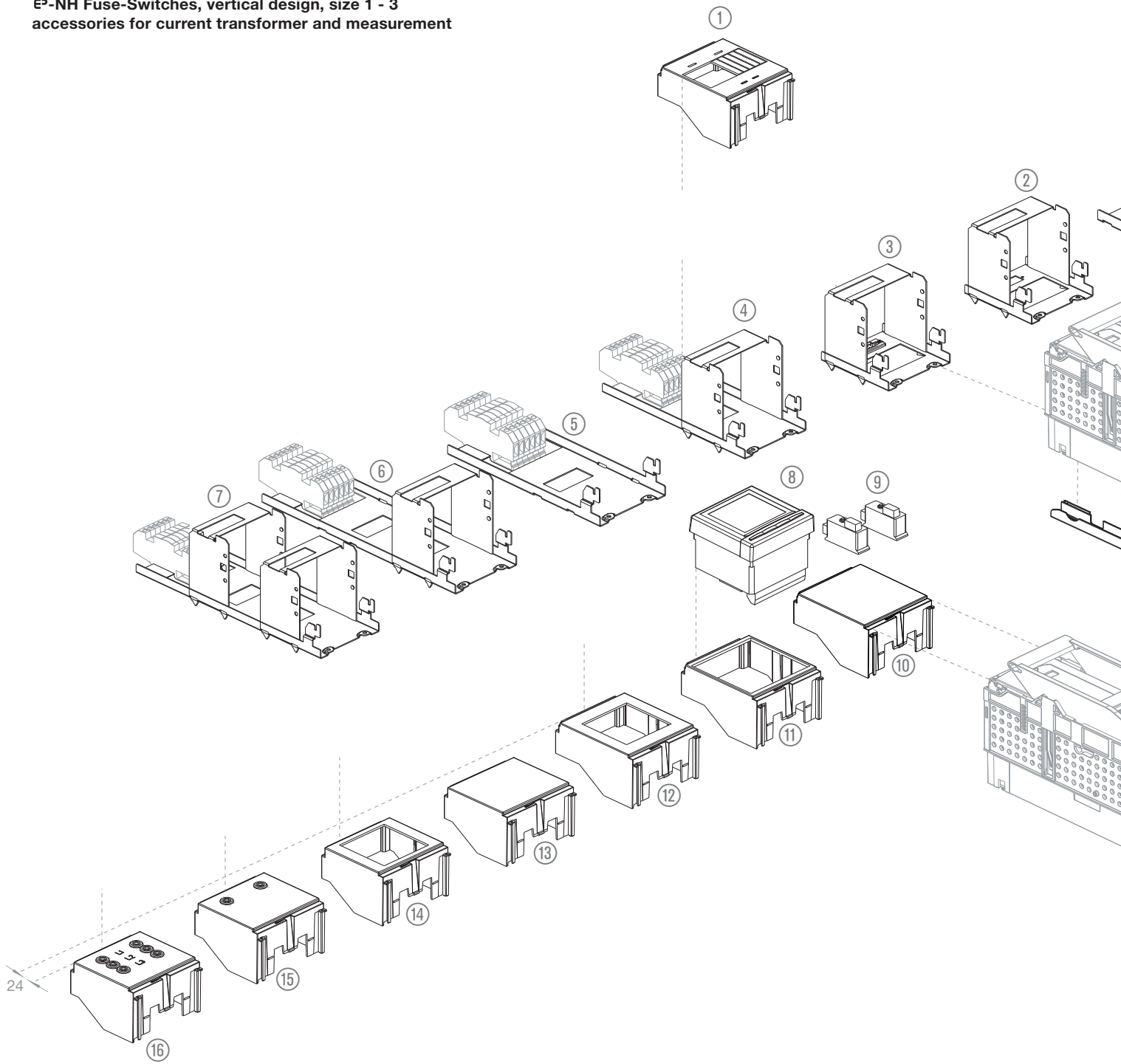


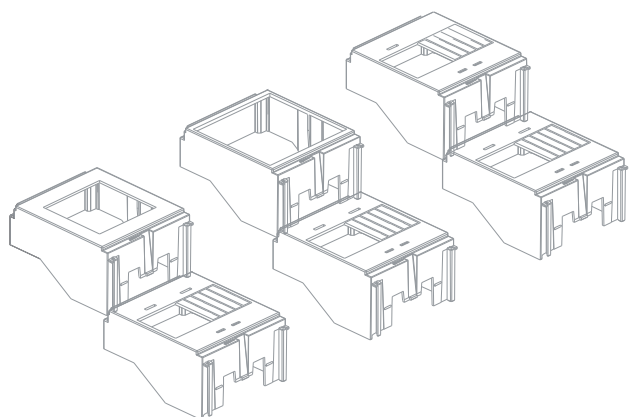
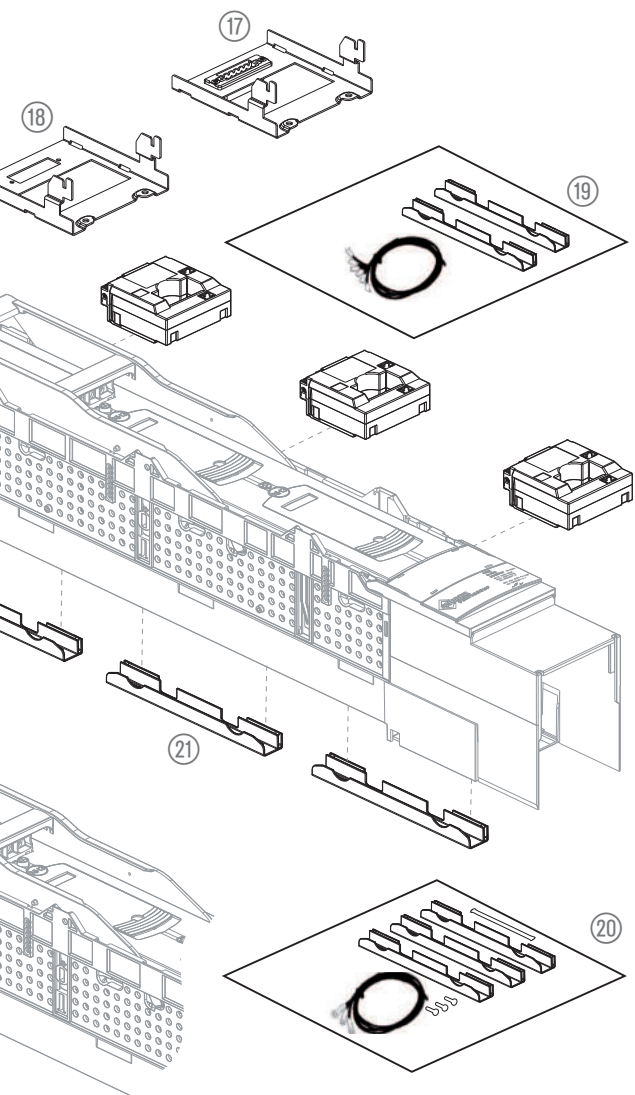


- | | |
|--|--------------------------------|
| ① 36407-0010 Clip-on cover | ⑭ 36435-0010 Terminal cover |
| ② 36419-0010 Device carrier | ⑮ 36444-0010 Connecting set |
| ③ 36356-0010 Identification holder | ⑯ 36410-0010 Blank panel cover |
| ④ 36370-0010 Device carrier | ⑰ 36409-0010 Blank panel cover |
| ⑤ 36437-0010 Click-on device frame | ⑱ 36390-0010 Sideframe |
| ⑥ 36375-0010 Microswitch | ⑲ 36331-0010 Angle bracket |
| ⑦ Electronical fuse monitoring | ⑳ 36350-0010 Clamp |
| ⑧ Terminal cover | ㉑ 36351-0010 Clamp |
| ⑨ 36354-0010 Contact hooks | ㉒ 36353-0010 Clamp |
| ⑩ 36719-0010 Screws | ㉓ 36298-0010 Clamp |
| ⑪ on demand | ㉔ 36438-0010 Terminal cover |
| ⑫ 36727-0010 Lateral frame | ㉕ 36404-0010 PEN-connection |
| ⑬ Special handle for 168 mm installation depth | |

E³-NH Fuse-Switches, vertical design

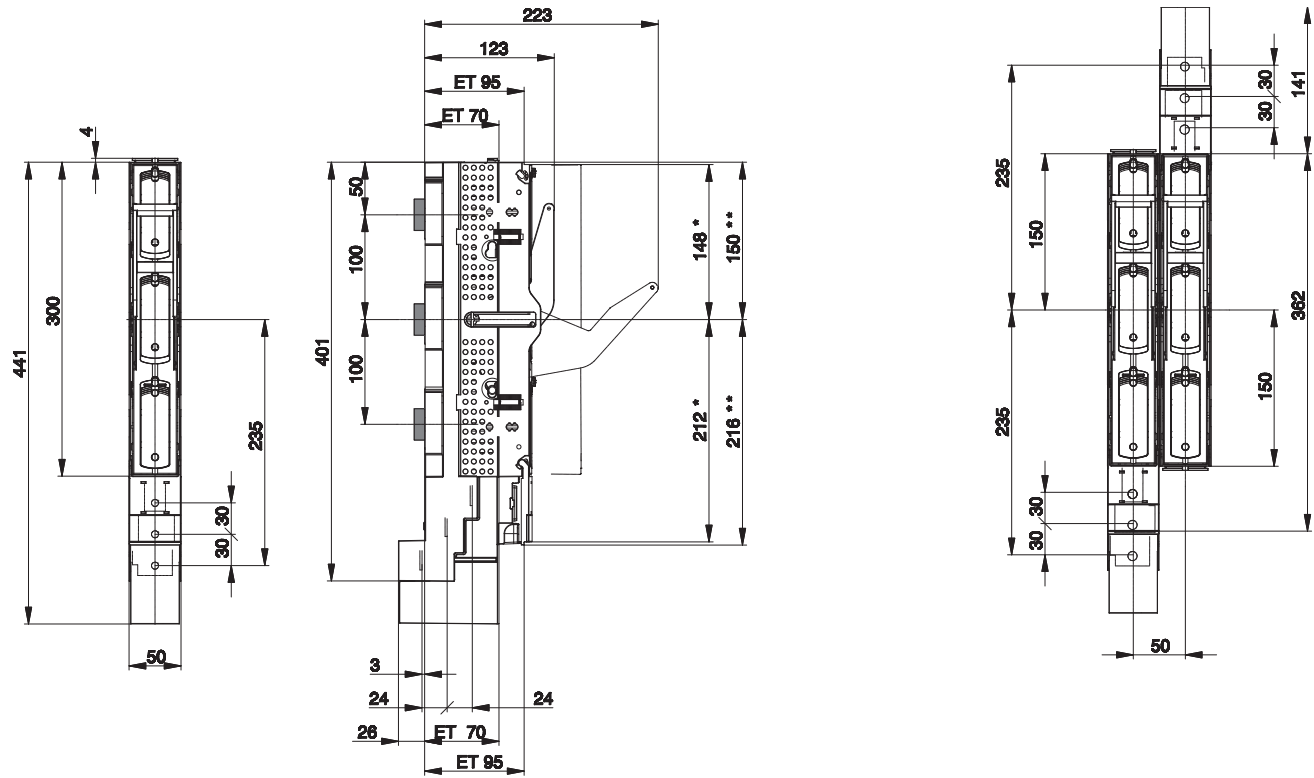
E³-NH Fuse-Switches, vertical design, size 1 - 3
accessories for current transformer and measurement



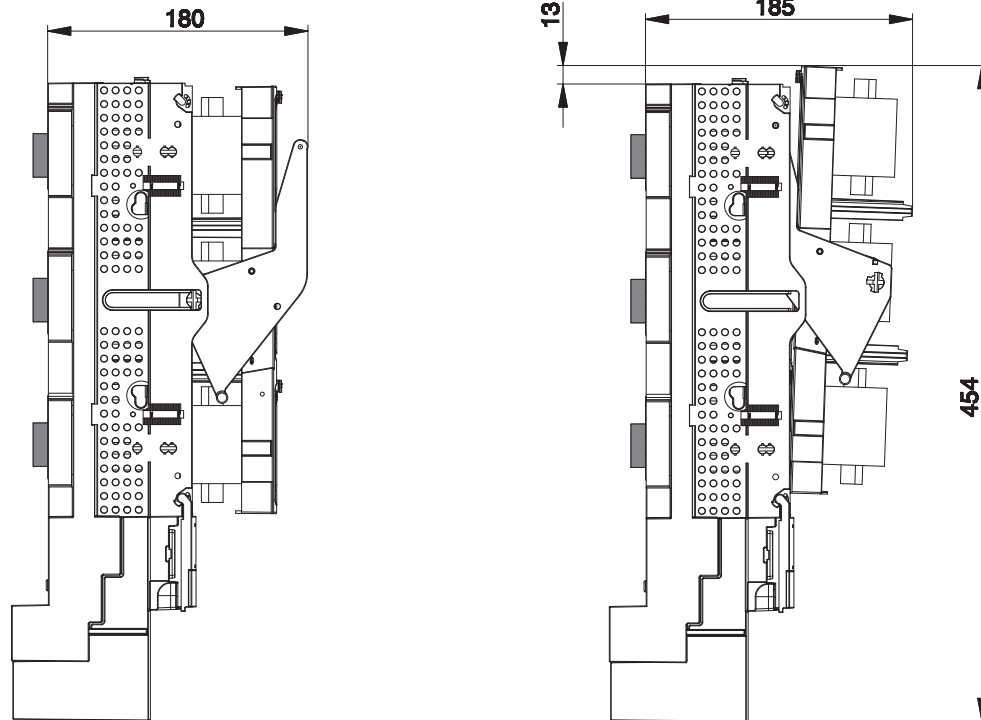


- ① 36428-0010 Device cover
- ② 36371-0010 Metal device carrier
- ③ 36372-0010 Metal device carrier
- ④ 36373-0010 Metal device carrier
- ⑤ 36420-0010 Metal device carrier
- ⑥ 36421-0010 Metal device carrier
- ⑦ 36374-0010 Metal device carrier
- ⑧ EM Multifunctional measurement devices
- ⑨ EM Module
- ⑩ 36437-0010 Clip-on device frame
- ⑪ 36422-0010 Clip-on device frame
- ⑫ 36383-0010 Clip-on device frame
- ⑬ 36425-0010 Clip-on device frame
- ⑭ 36424-0010 Clip-on device frame
- ⑮ 36426-0010 Clip-on device frame
- ⑯ 36427-0010 Clip-on device frame
- ⑰ 36370-0010 Metal device carrier
- ⑱ 36419-0010 Metal device carrier
- ⑲ 36429-0010 Wiring kit for ct s
- ⑳ 36431-0010 Wiring kit for voltage cut-out
- ㉑ 36382-0010 Cable holder

3-pole switching



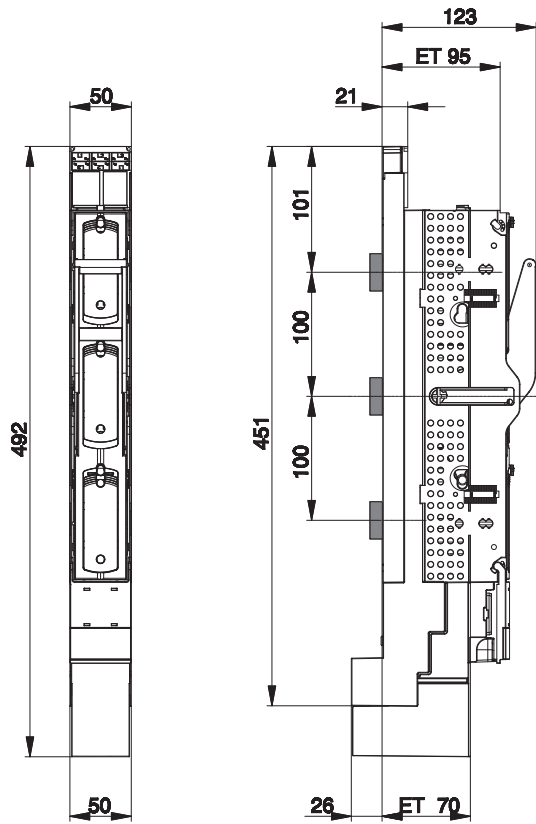
Secure turn-off-position



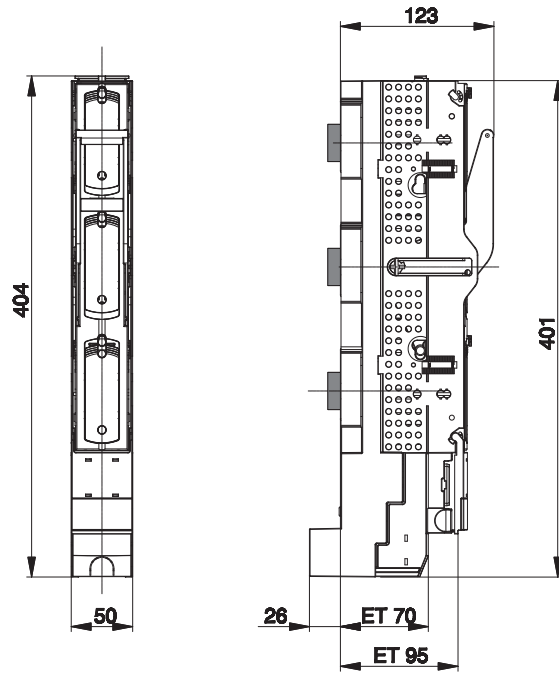
E³-NH Fuse-Switches, vertical design
Size 00/100

Dimension drawings

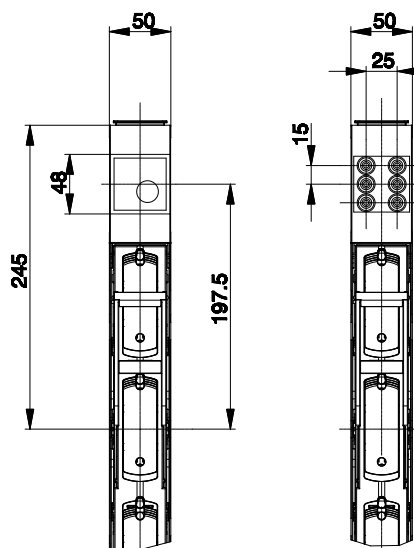
3- pole switching with current transformers



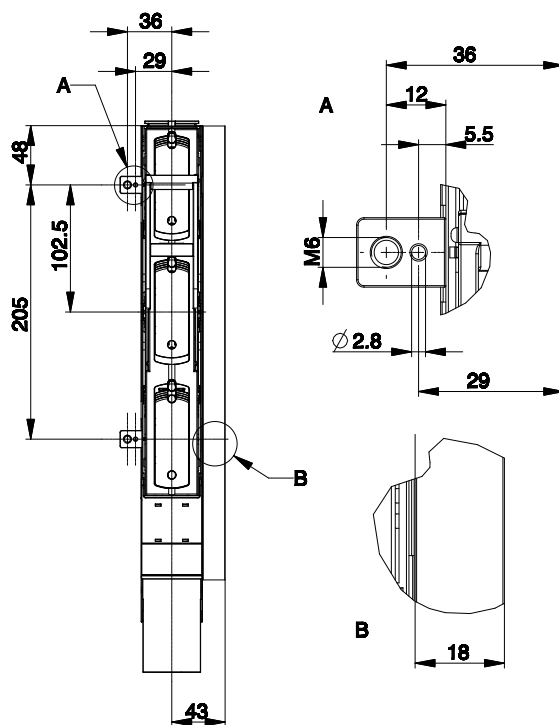
3-pole switching with short terminal cover



Device carrier short

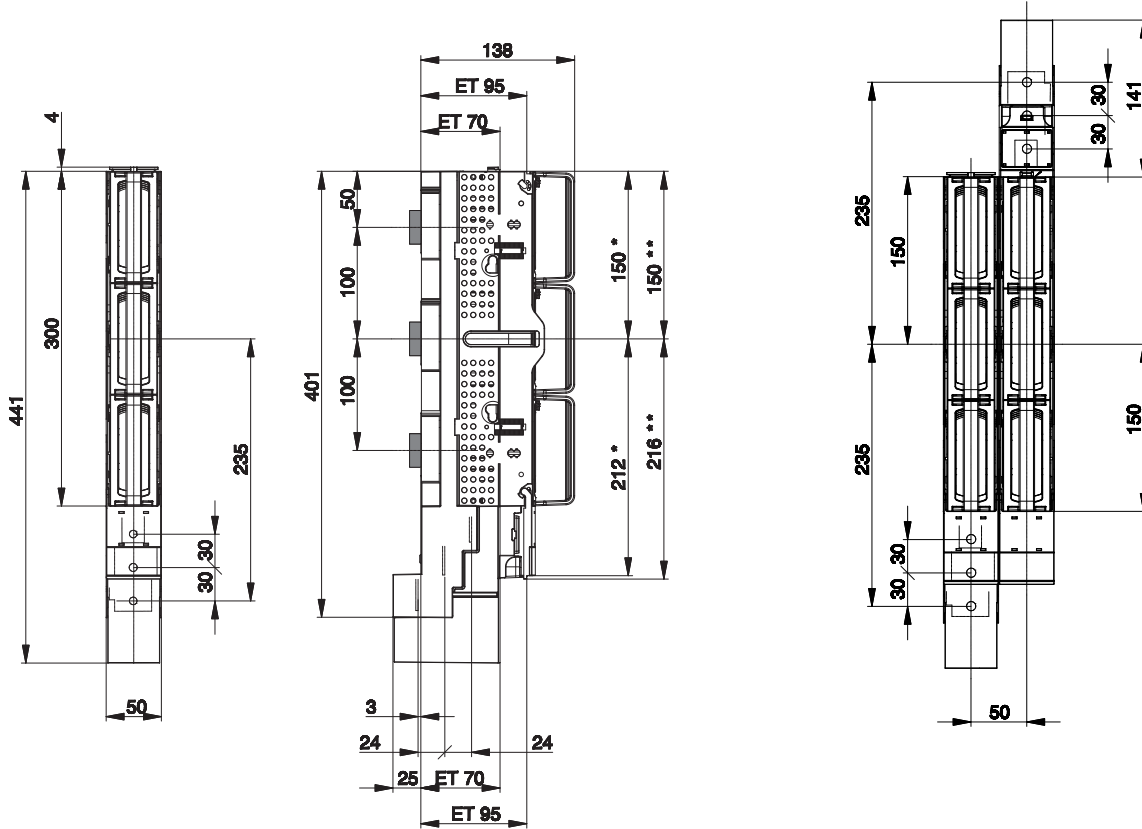


Side wise angle bracket and side frame

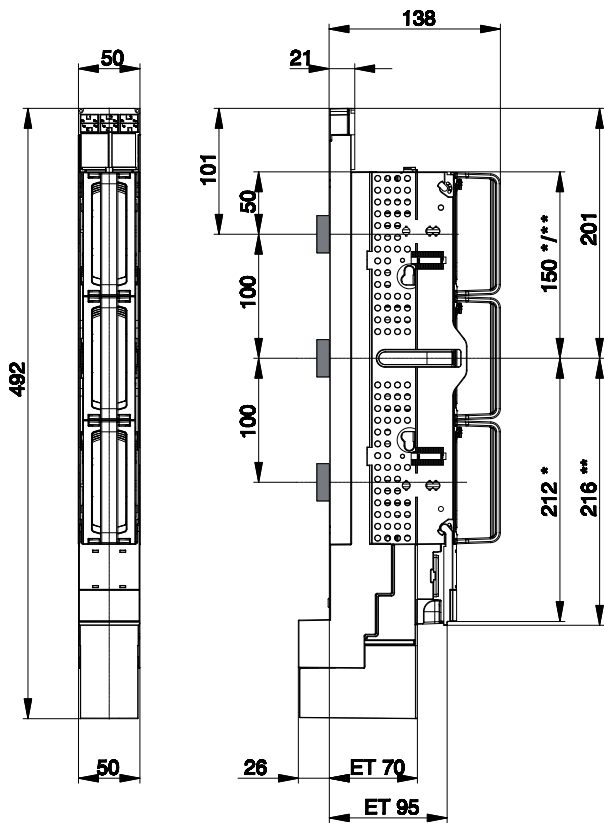


Cut out dimension ET 95 = * Dim. + 1 mm
 Cut out dimension ET 70 = ** Dim. + 1 mm
 ET = Installation depth of the cover frame

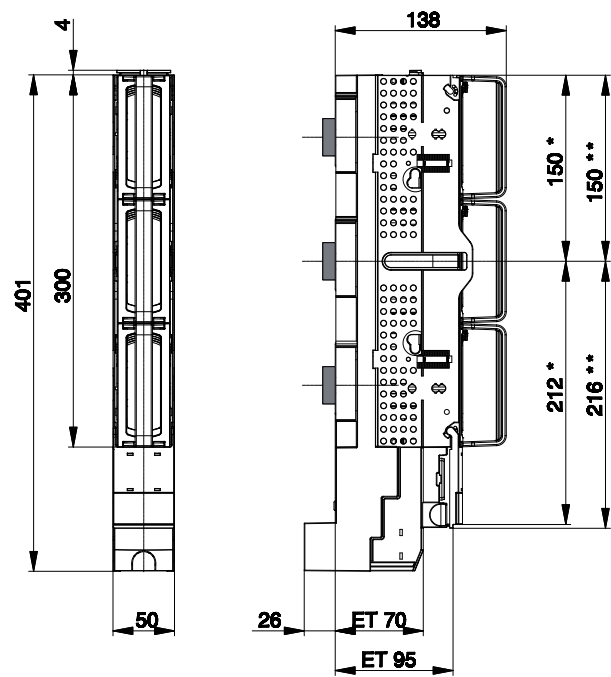
1- pole switching



1-pole switching with current transformer

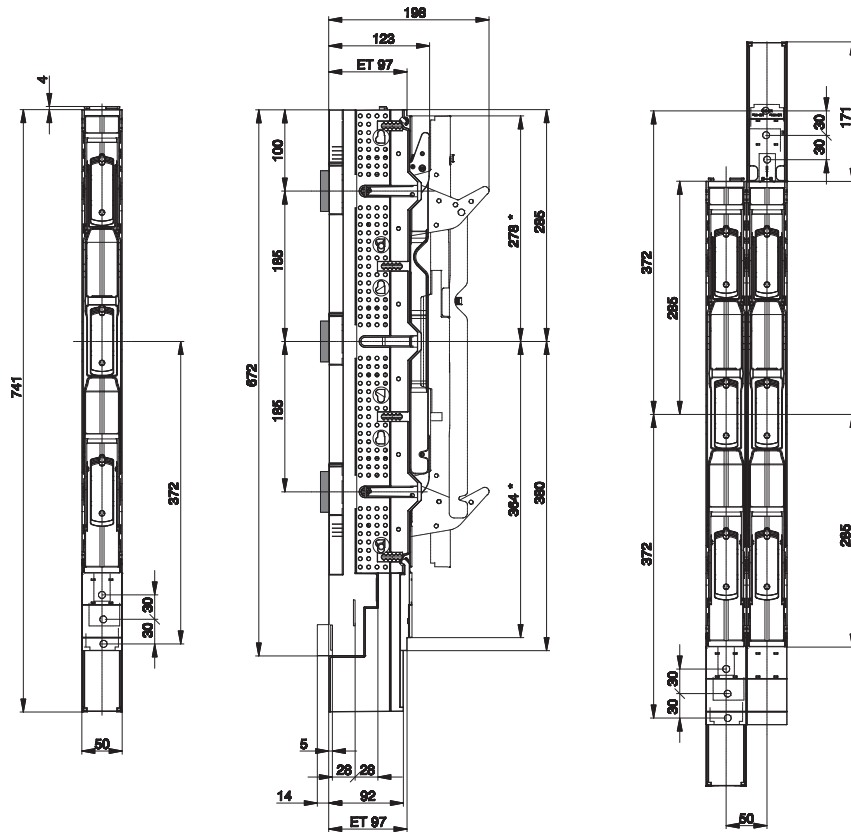


1-pole switching with short terminal cover

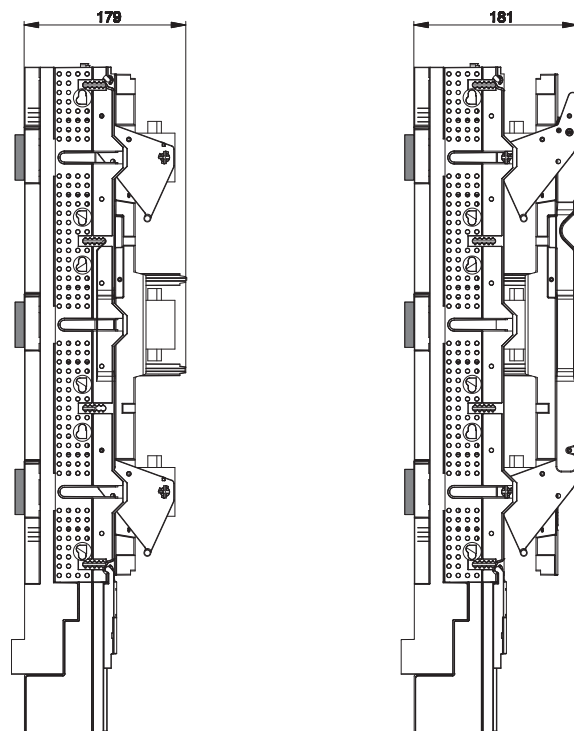


Cut out dimension ET 95 = * Dim. + 1 mm
Cut out dimension ET 70 = ** Dim. + 1 mm
ET = Installation depth of the cover frame

3-pole switching

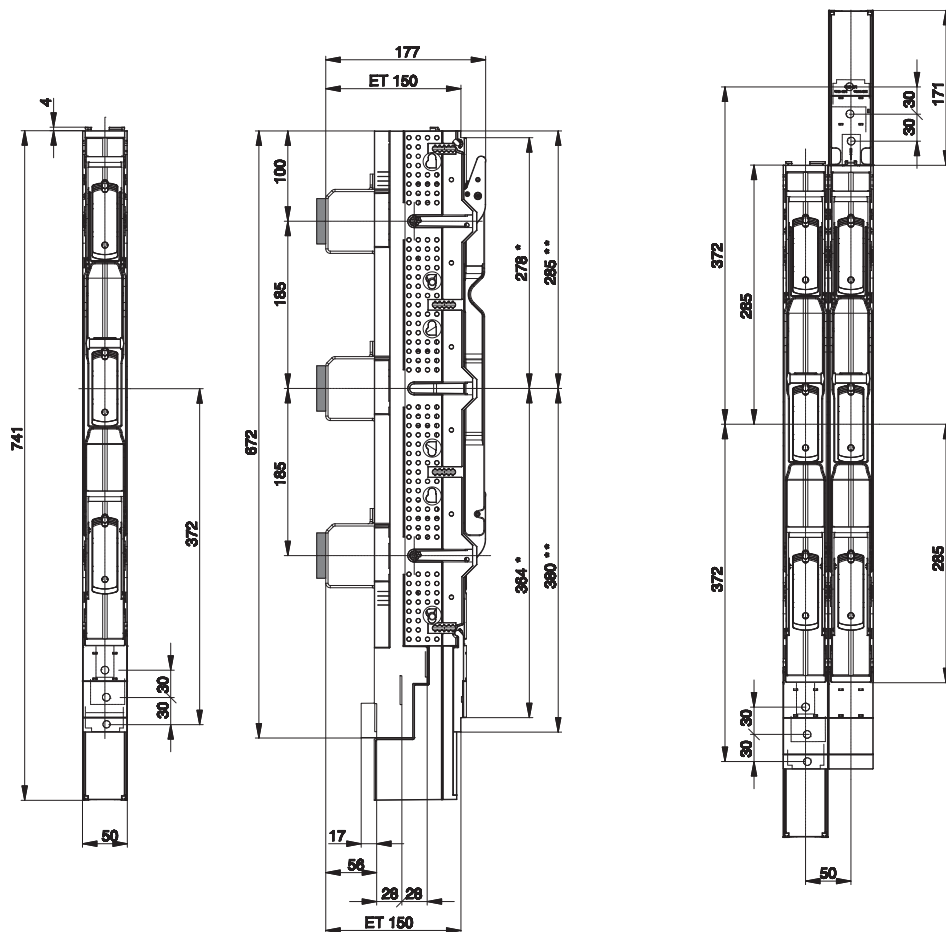


Secure turn-off-position

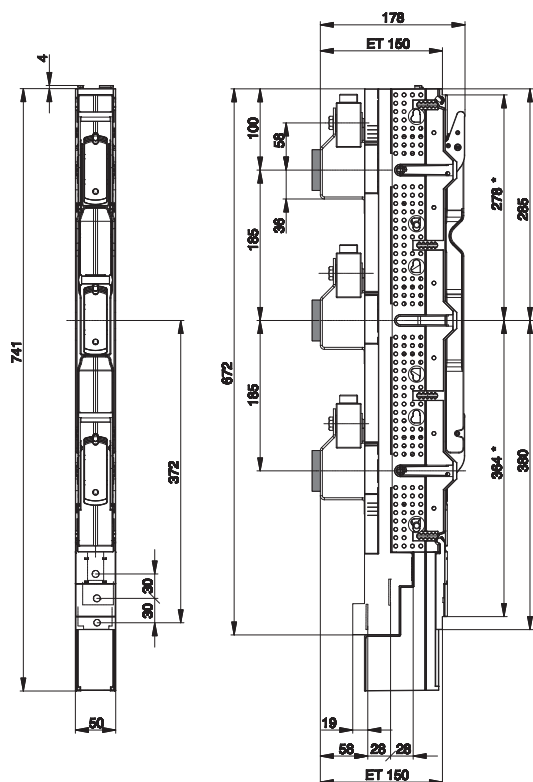


Cut out dimension ET 97 = * Dim. + 1 mm
ET = Installation depth of the cover frame

With elevated feeding bracket

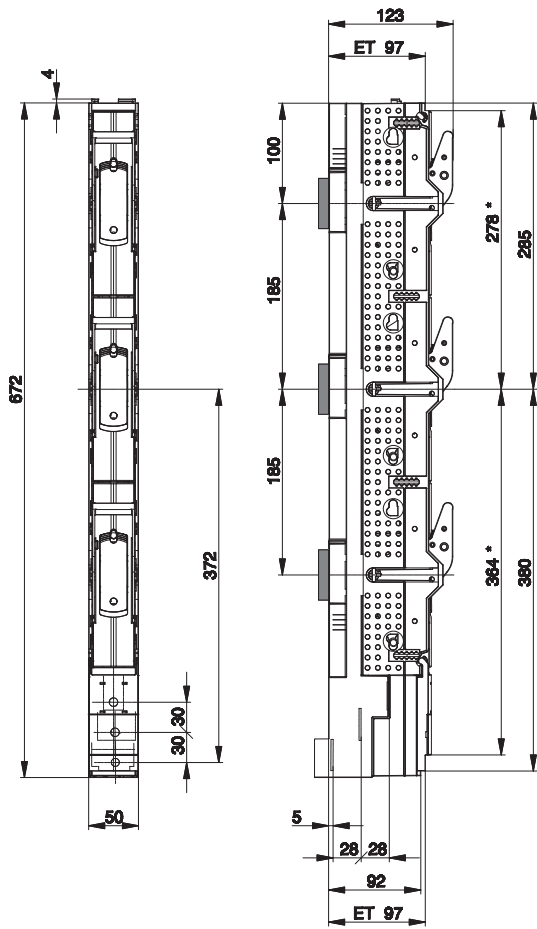


With elevated feeding bracket for current transformers

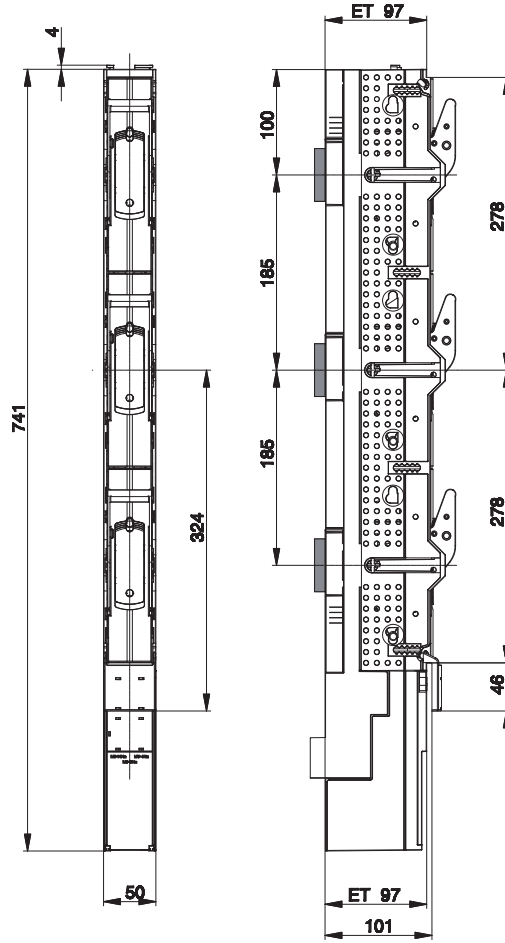


Cut out dimension ET 150 = * Dim. + 1 mm
ET = Installation depth of the cover frame

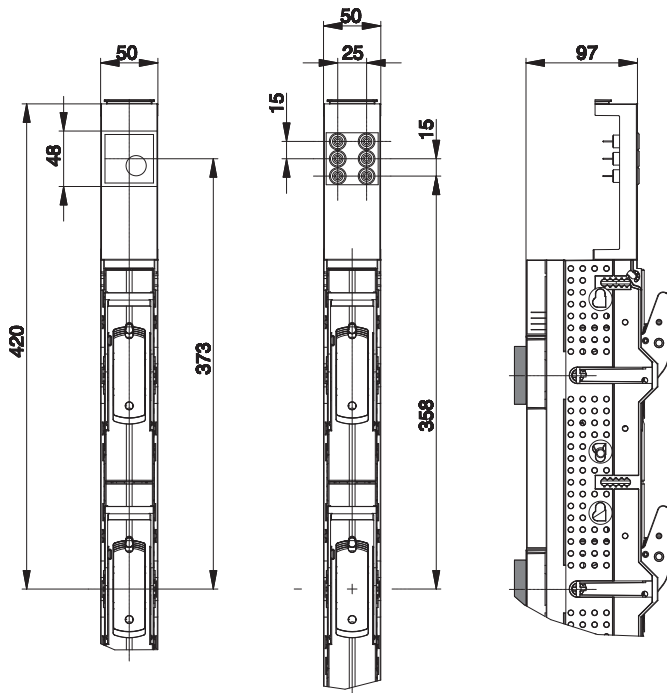
Short terminal cover



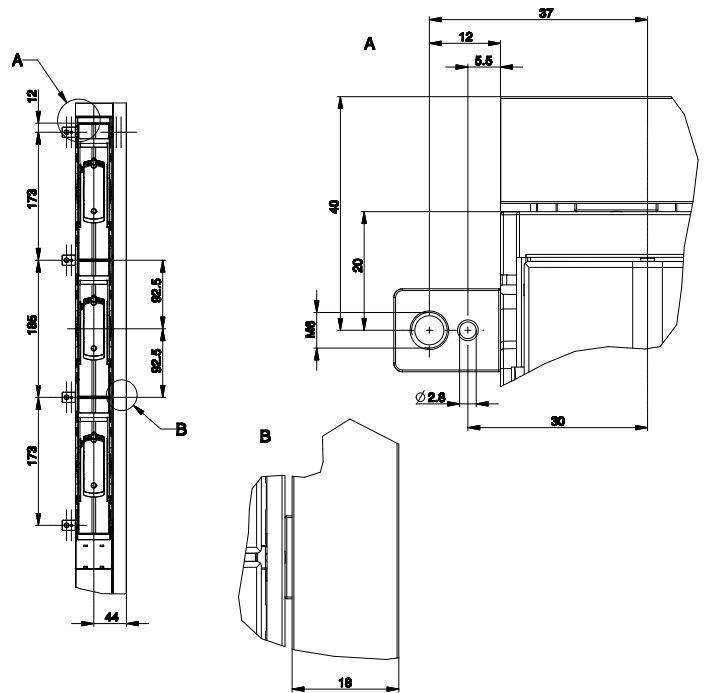
Short identification label



Device carrier long



Side wise angle bracket and side frame

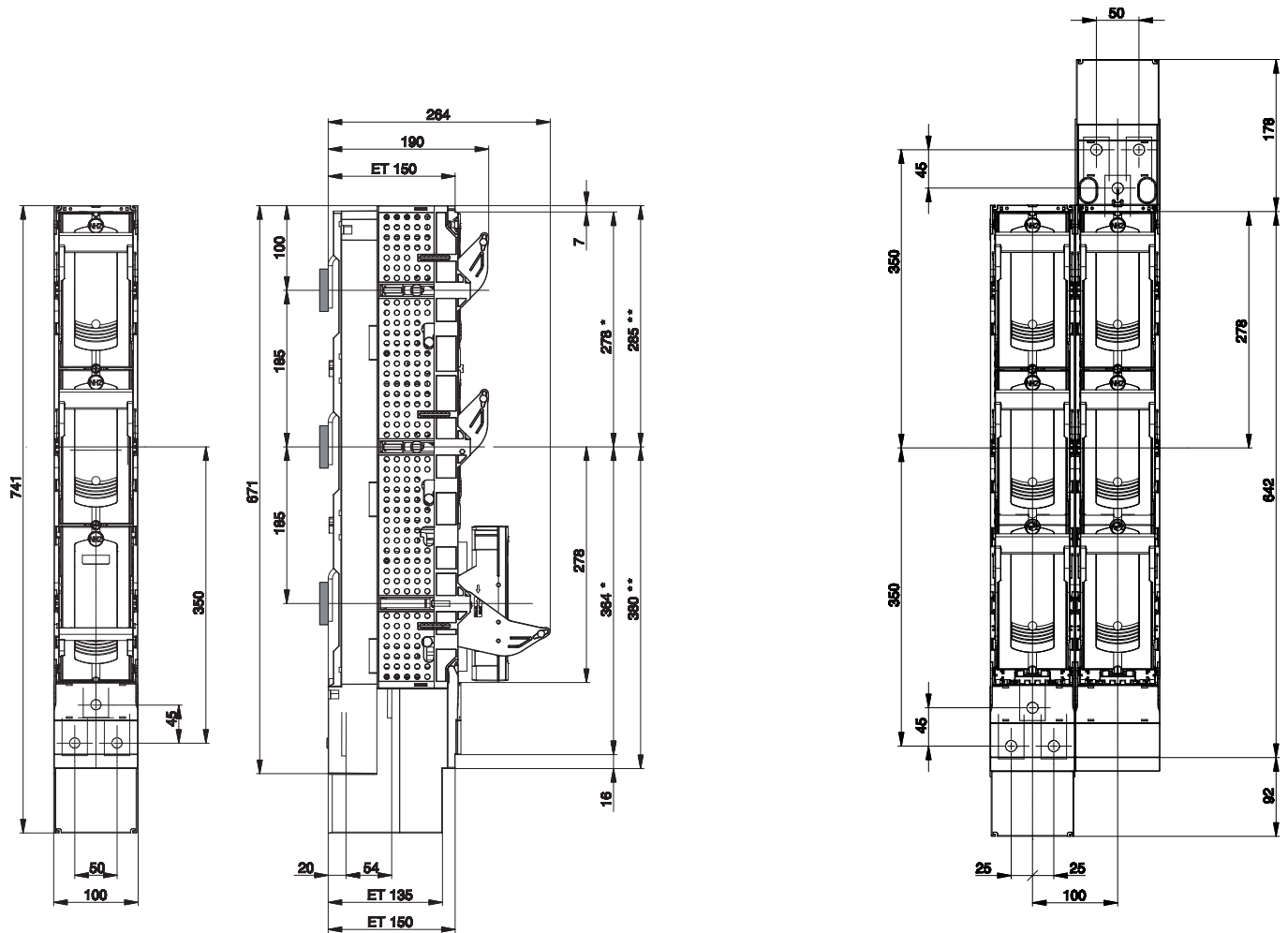


Cut out dimension ET 97 = * Dim. + 1 mm
ET = Installation depth of the cover frame

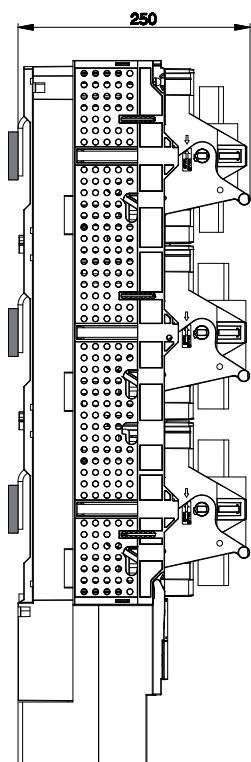
E³-NH Fuse-Switches, vertical design
Size 1 - 3

Dimension drawings

1-pole switching



Secure turn-off-position

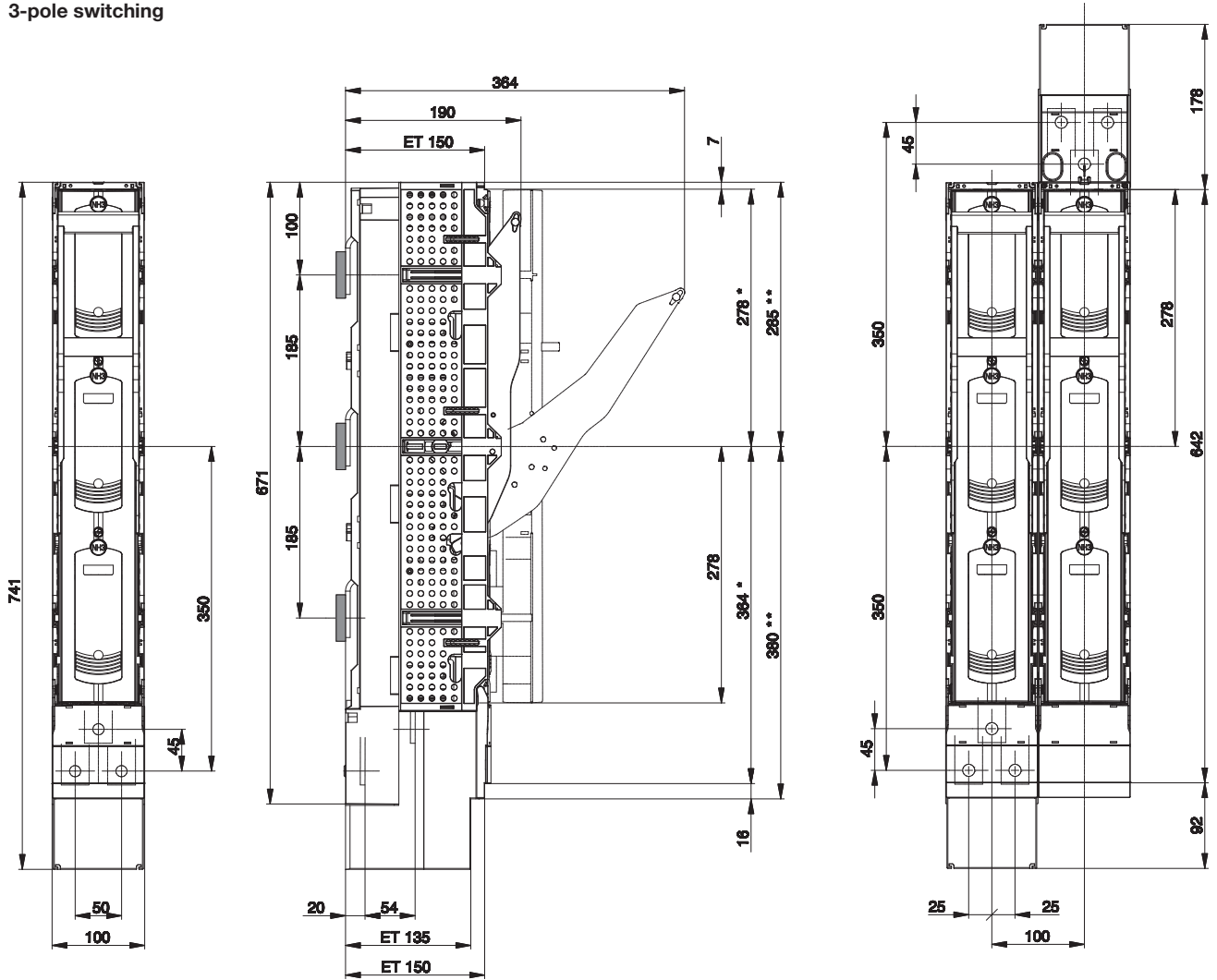


Cut out dimension ET 150 = * Dim. + 1 mm
 Cut out dimension ET 120-145 = ** Dim. + 1 mm
 ET = Installation depth of the cover frame

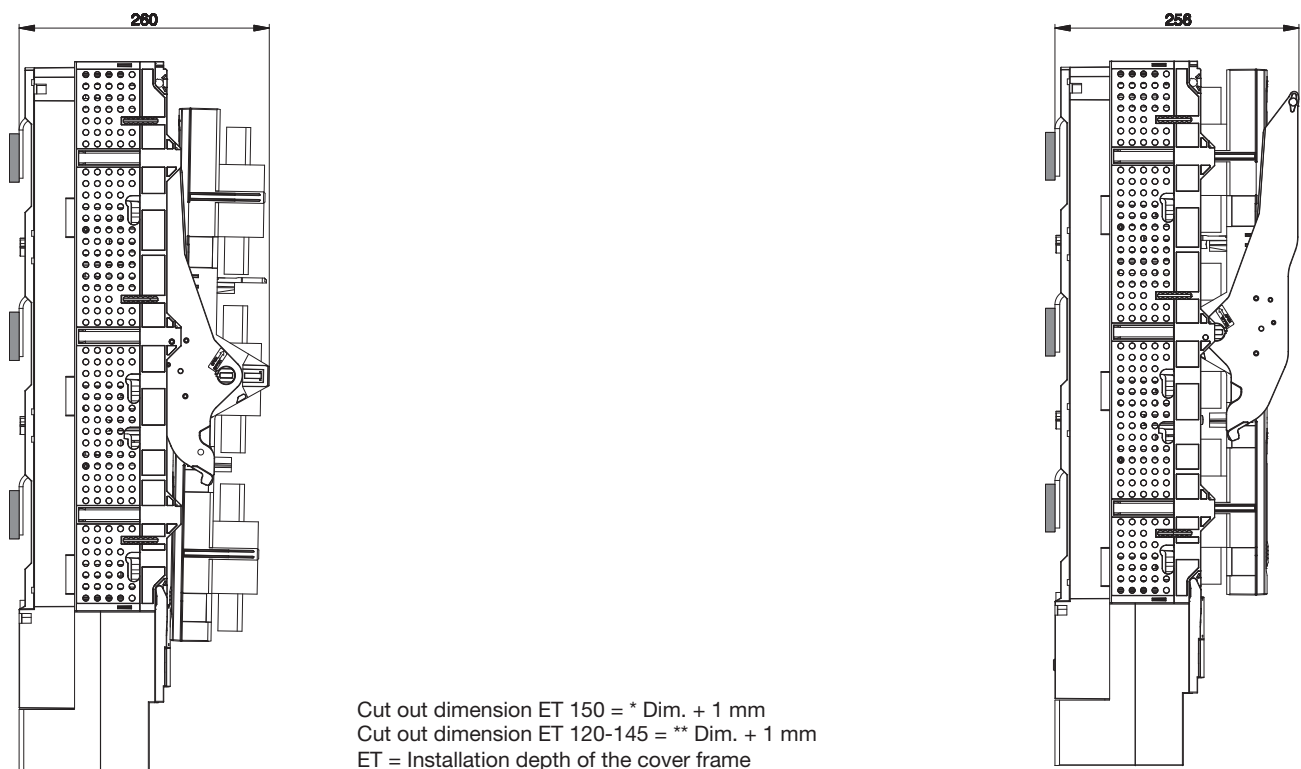
E³-NH Fuse-Switches, vertical design
Size 1 - 3

Dimension drawings

3-pole switching



Secure turn-off-position



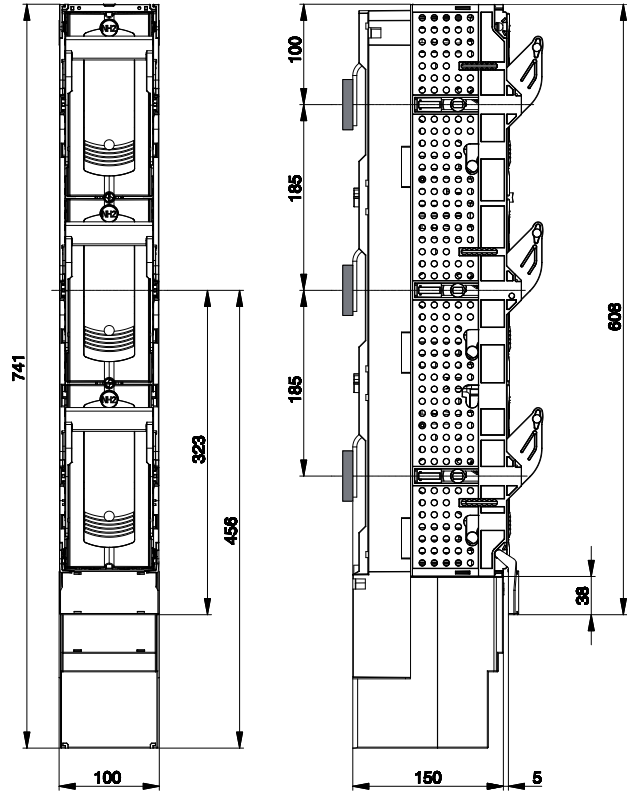
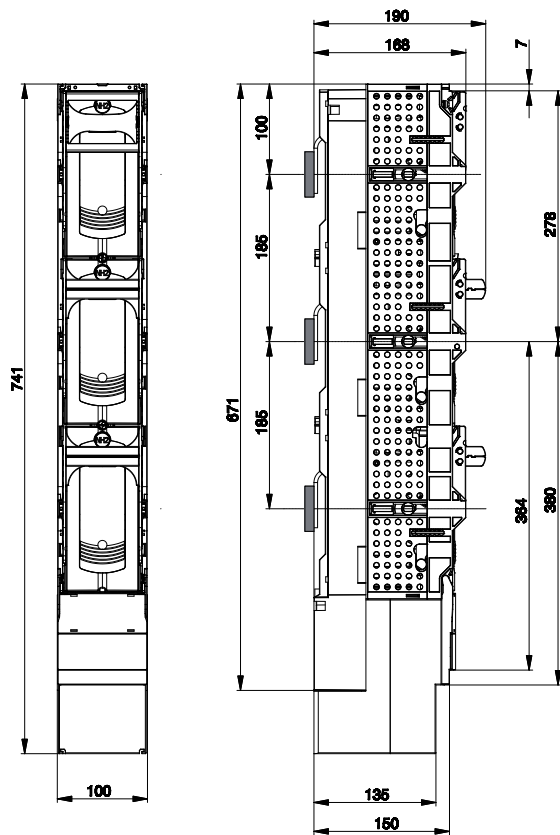
Cut out dimension ET 150 = * Dim. + 1 mm
 Cut out dimension ET 120-145 = ** Dim. + 1 mm
 ET = Installation depth of the cover frame

É³-NH Fuse-Switches, vertical design
Special versions

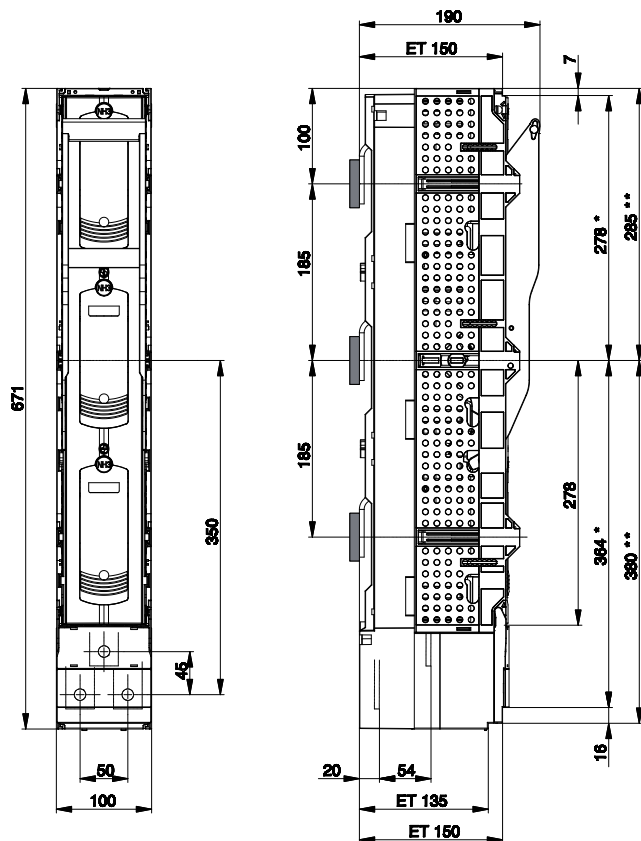
Dimension drawings

Low installation depth

Short identification carrier



Short terminal cover



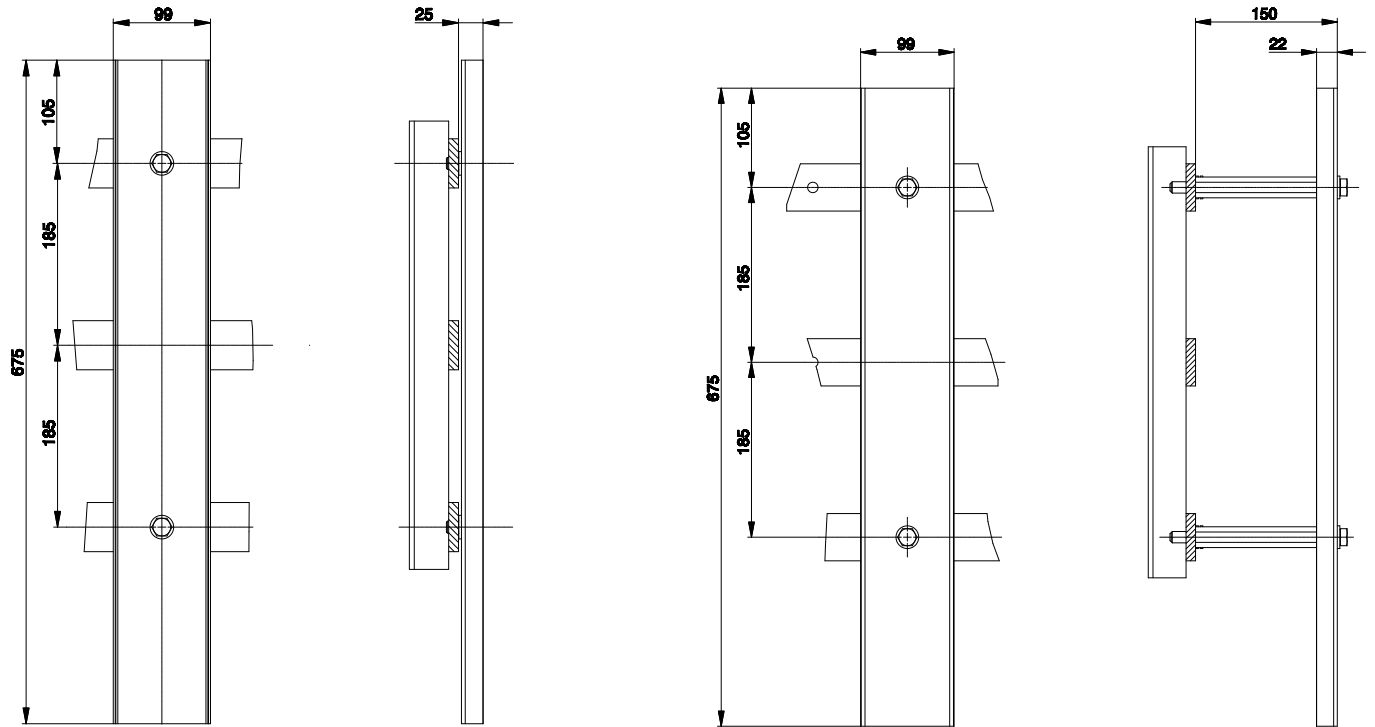
Cut out dimension ET 150 = * Dim. + 1 mm
Cut out dimension ET 120-145 = ** Dim. + 1 mm
ET = Installation depth of the cover frame

ε³-NH Fuse-Switches, vertical design
Blank panell cover

Dimension drawings

Direct onto the busbar
 36409-0010

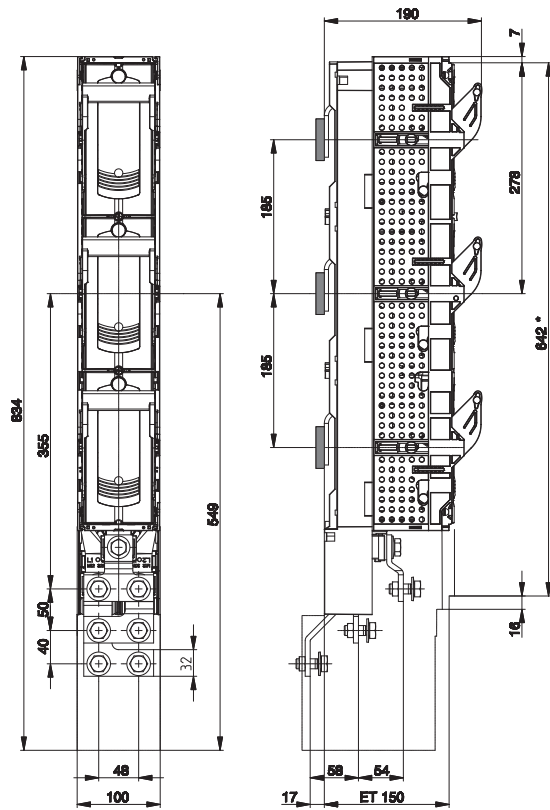
With distance bolt for 150 mm installation depth
 36410-0010



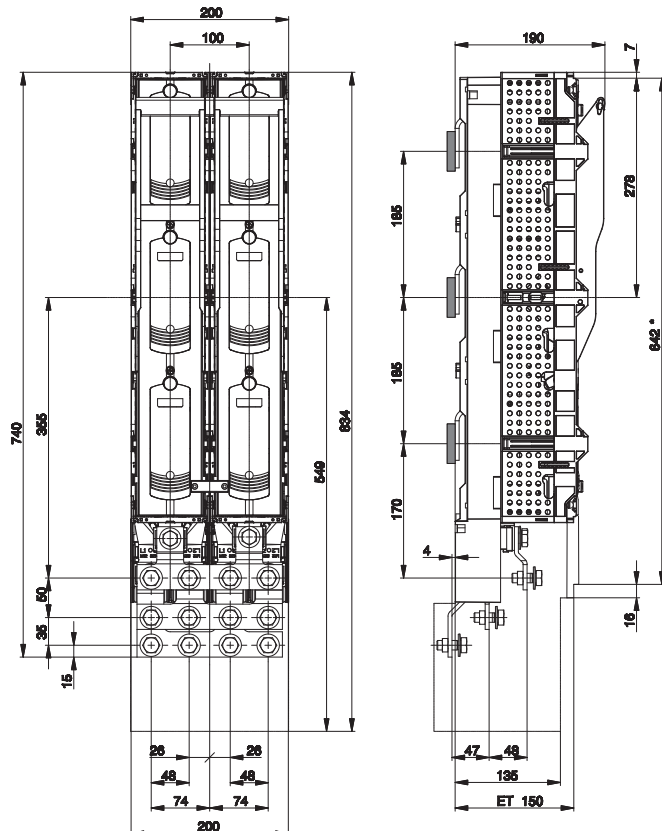
E³-NH Fuse-Switches, vertical design
Incomming Switches

Dimension drawings

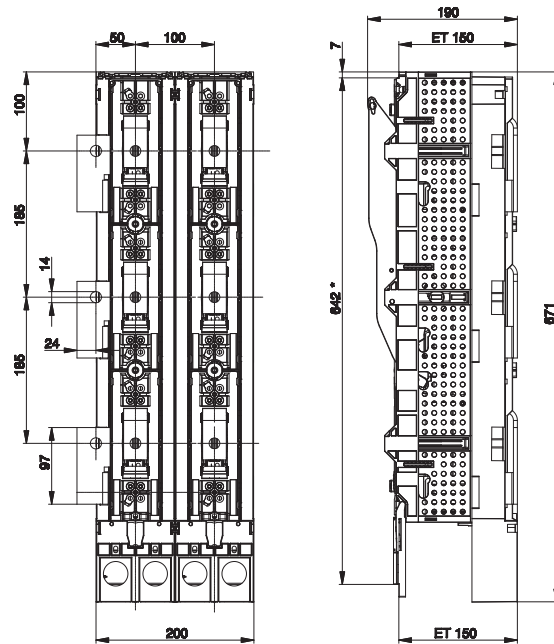
Incomming switch 1000 A



Incomming switch 1000 A



Incomming switch 1000 A for busbar coupling



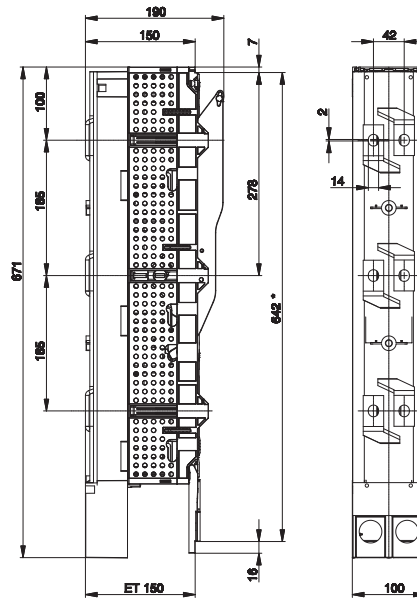
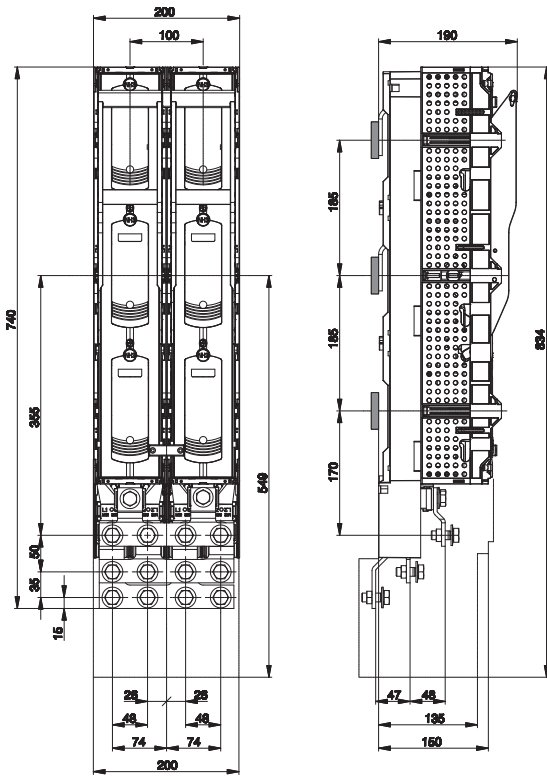
Cut out dimension ET 150 = * Dim. + 1 mm
 Cut out dimension ET 120-145 = ** Dim. + 1 mm
 ET = Installation depth of the cover frame

E³-NH Fuse-Switches, vertical design
Incomming Switches

Dimension drawings

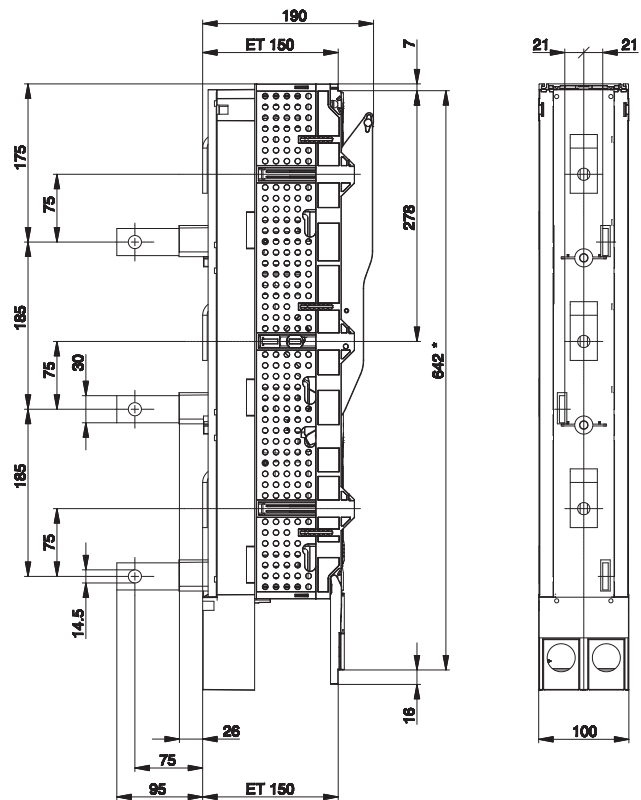
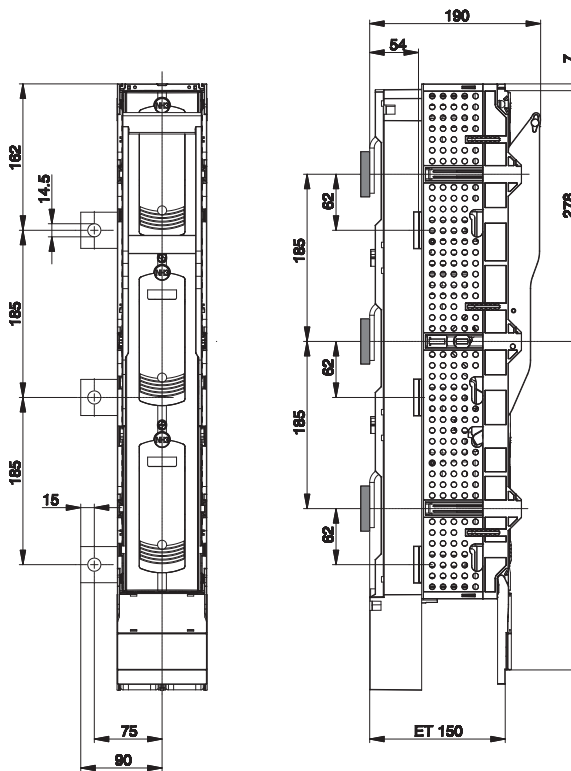
Parallel switching

Terminal inside 630/1000 A



Terminal sidewise 630/1000 A

Terminal backside 630/1000 A

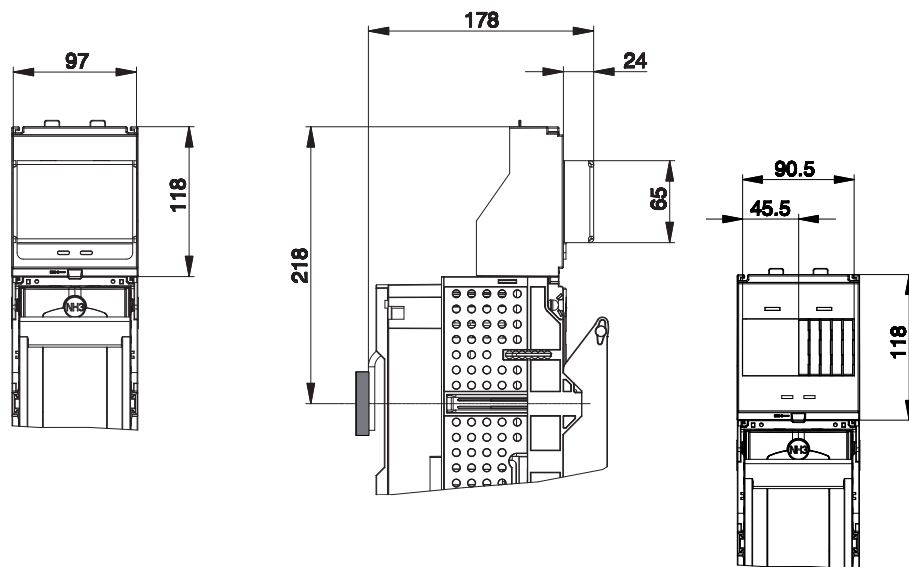


E³

E³-NH Fuse-Switches, vertical design
Size 1 - 3

Dimension drawings

Device cover 36428-0010
Sealing cover 36434-0010

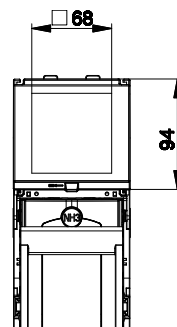
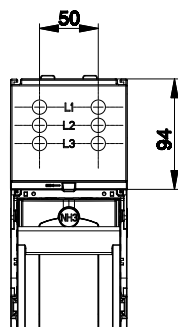
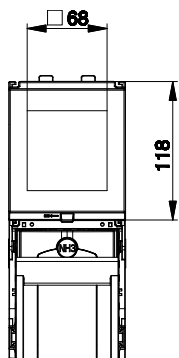
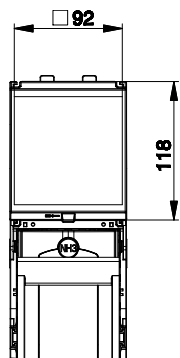


Device carrier long
36422-0010

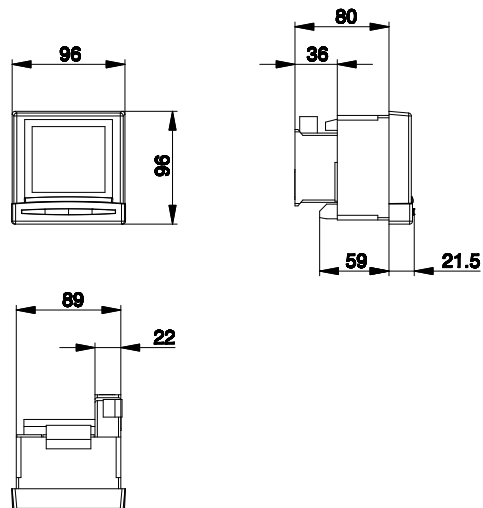
36383-0010

Device carrier short
36427-0010

36424-0010



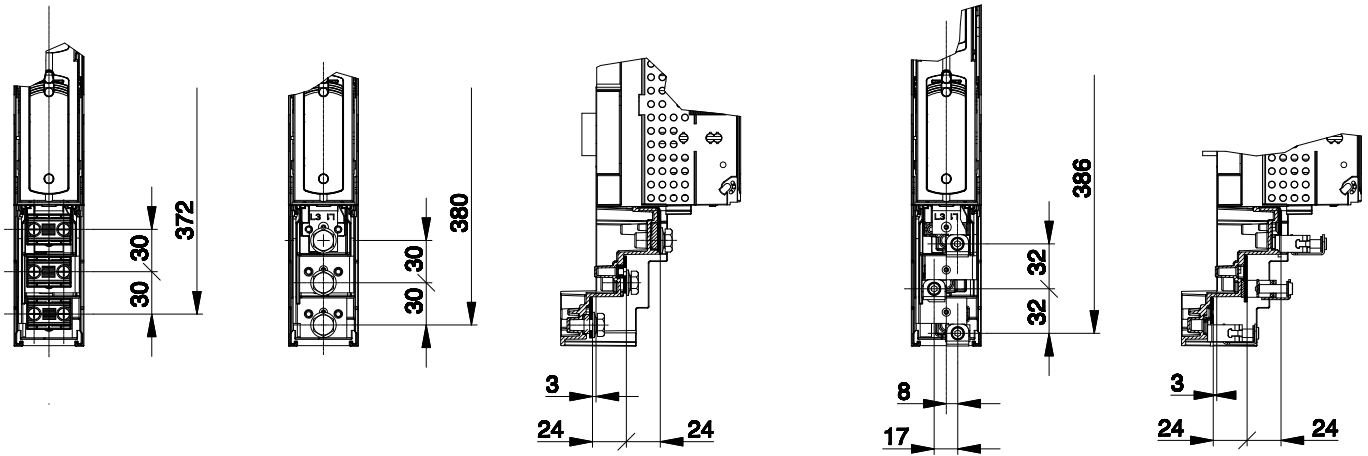
Multifunctional measurement device
Plug-in modul



E³-NH Fuse-Switches, vertical design
Terminal connection size 00

Dimension drawings

Size 00/60 and 00/100

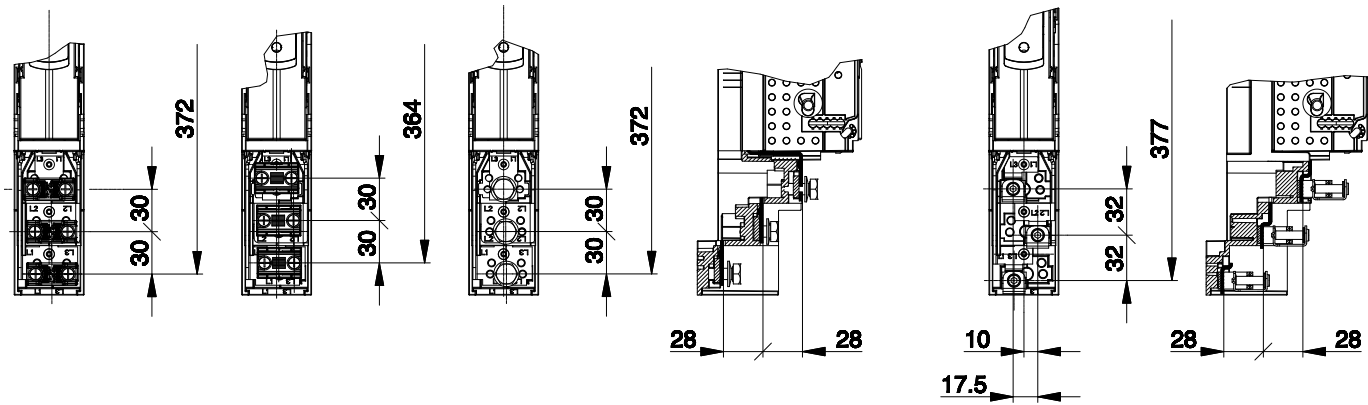


Pressure plates
and prism
max. 95 mm²

Multiple use terminal
(screws M8) M8 x 14

Box terminal
max. 95 mm²

Size 00/185



Pressure plates
and prism
max. 150 mm²

Multiple use terminal
(screws M8) M8 x 14

Box terminal
max. 95 mm²

E³