



Optical-audible combinations



Overview Optical and Audible Combinations

Double the safety with optical-audible signals

Large systems are often managed by only a few people, especially in automated production facilities and large machine shops. This results in optical signals not always being in the machine operator's immediate field of vision. In such cases, an audible signal may also be used. The use of both optical and audible alarms will help to counter an audible alarm not always being heard above an ambient noise level.

Overview Optical and Audible Combinations							
Product type		Installation	Free-standing	Free-standing	Free-standing	Free-standing	Free-standing
Mounting	Product range	Installation Combinations	EvoSIGNAL Mini	EvoSIGNAL Midi	Combinations	Design Combinations	Heavy Duty Combinations
Dimensions (Ø x Height)*		50 x 22 mm	62 x 85 mm	85 x 130 mm	146 x 171 mm 134 x 235 mm	-	
Dimensions (L x H x W)		-	-	-	134 x 407 x 144 mm	109 x 112,5 x 152 mm	136 x 138 x 119 mm 165 x 169 x 132 mm 168 x 211 x 155 mm
Voltage	12 V		●	●			●
	24 V	●	●	●	●	●	●
	60 V						●
	115 V	●	●	●	●	●	●
	230 V	●	●	●	●	●	●
Protection rating		IP65	IP66	IP66	IP65	IP65	IP66
Signalisation index optical**		3	4-5	6-8	5-9	6-8	4
Signalisation index audible**		3	4-7	6-7	6-7	8	6-10
Page		Page 208	Page 213	Page 217	Page 221	Page 227	Page 231

* Technical diagrams can be found on the product page

** Signalisation index - see page 13 + 21



Variety of signals

WERMA supplies a large number of audible signals which can also be enhanced with the addition of optical light signals.

AUDIBLE SIGNALS: Sirens and Multi-Tone Sounder, Buzzer and Horns

OPTICAL SIGNALS: (LED) Permanent Light, Flashing Light, LED Double Flash Light, LED EVS Signal, LED Permanent/Flash/EVS Light

Size comparison



Series	EvoSIGNAL Mini	EvoSIGNAL Midi	Heavy Duty 441
Ø	62 mm	85 mm	-
Height	85 mm	130 mm	-
L x H x W			165 x 167 x 132 mm



Installation Combination Beacon with Buzzer

Your benefits

Optical audible Installation Combinations give excellent all-round visibility of the signal and are an industry standard for easy installation in control panels.

- Easy to install
- Tamper-proof when installed
- Minimal protrusion from panel for installations where space is limited
- Acknowledgement function promotes faster response time and fault repair (450 series)

Typical applications

Fault signalling

- in control panels

Installation options

- Installation mounting

Features



- High IP65 protection rating for outdoor applications
- Standard M22 for control panel installation
- Proven piezo technology for extended life duration
- Easy to connect using a plug-in connection (150)
- LED permanent light with continuous tone that can be additionally activated (150)



Size comparison Installation / Mini



Signalisation index

Continuous Tone		3
LED Permanent Light		3



150 LED Permanent Light / Buzzer Combination



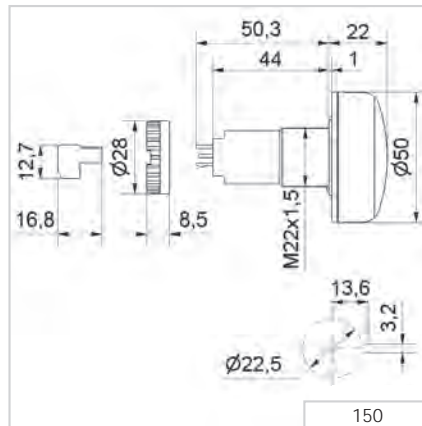
LED Permanent light with continuous tone that can be additionally activated



① TECHNICAL SPECIFICATIONS/ORDER SPECIFICATIONS:

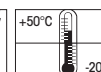
Dimensions (Ø x Height):	50 mm x 22 mm (Protrusion from panel)		
Housing:	PC/ABS-Blend		
Lens:	PC, transparent		
Connection:	Connector plug with screw terminal max. 1.5 mm ²		
Tone type:	Continuous		
Tone frequency:	c. 2.8 kHz		
Duty cycle:	100 %		
Life duration:	Up to 50,000 hrs		
Fixing:	Installation mounting for Ø 22.5 mm (M22 x 1.5 mm) with anti-twist device		
Nut and seal included in assembly.			
Voltage:	24 V DC	115 V AC	230 V AC
Current consumption:	< 50 mA	< 20 mA	< 20 mA
red	150 100 55	150 100 67	150 100 68
yellow	150 300 55	150 300 67	150 300 68

↔ TECHNICAL DIAGRAM:

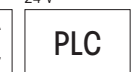


Signalisation index

Continuous tone		3
LED Permanent Light		3



24 V



450 LED Permanent Light/Buzzer Combination with acknowledgement function



LED Permanent light with continuous tone that can be additionally activated



① TECHNICAL SPECIFICATIONS/ORDER SPECIFICATIONS:

Dimensions (Ø x Height):	50 mm x 22 mm (Protrusion from panel)	
Housing:	PC/ABS-Blend	
Lens:	PC, transparent	
Connection:	Screw terminal 1.5 mm ²	
Signal input:	24 V DC	
Acknowledgement output:	Semiconductor-Relay	U _{max} = 30 V I _{max} = 100 mA R _{ON max} = 25 Ohm
Tone type:	Continuous	
Tone frequency:	c. 2.8 kHz	
Duty cycle:	100 %	
Life duration:	Up to 50,000 hrs	
Fixing:	Installation mounting for Ø 22.5 mm (M22 x 1.5 mm)	
Nut and seal included in assembly.		
Voltage:	24 V DC	
Current consumption:	80 mA	
red	450 100 55	
yellow	450 300 55	

! ADDITIONAL INFORMATION:

1

The occurrence of a malfunction or an error is indicated by means of an optical-audible signal.

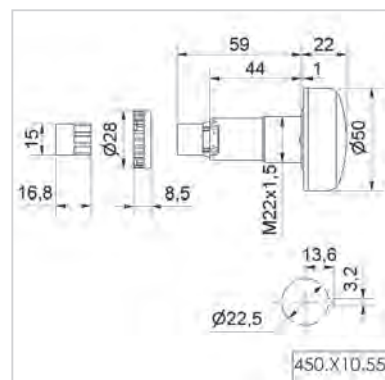
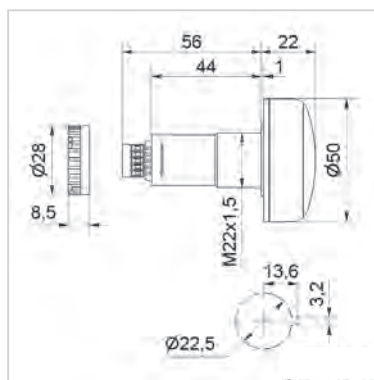
2

The audible signal can be turned off in seconds by lightly pressing the front of the product.

3

The acknowledgement signal is sent to the control unit via an electronic switch and the malfunction is now only indicated by the optical signal.

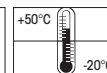
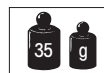
← TECHNICAL DIAGRAM:



The audible signal can be turned off in seconds by lightly pressing the front of the product

Signalisation index

Continuous tone		3
LED Permanent Light		3



450.X00.00

450.X10.55



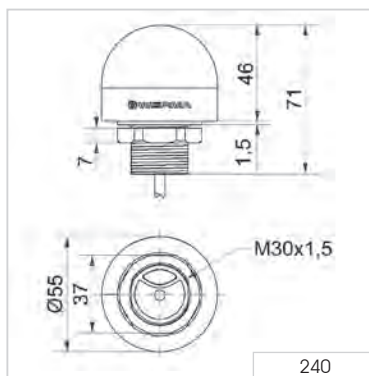
240 LED Installation Beacon (Multicolour) with buzzer



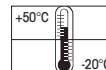
① TECHNICAL SPECIFICATIONS/ORDER SPECIFICATIONS:

Dimensions (Ø x Height):	55 mm x 46 mm (Protrusion from panel)			
Housing:	PC/ABS-Blend, black			
Lens:	PC, transparent			
Fixing:	Installation mounting M30			
Colour options:	Red, yellow, green, white, blue, violet, turquoise (Multicolour) Red, yellow, green (Tricolour)			
Tone types and frequency:	Pulse tone, 3400 Hz			
Life duration light:	Up to 50,000 hrs			
Life duration buzzer:	Up to 5,000 hrs			
With Buzzer	Voltage	Current consumption	Plug M12	Cable
Tricolour (RGY)	24 V DC	45 mA	240 240 55	240 230 55
Multicolour (RGB)	10-30 V DC	80 mA	240 140 50	240 130 50

↔ TECHNICAL DIAGRAM:



240.240.55 240.140.50 240.230.55 240.130.50



Evo*SIGNAL* - Combinations

Your benefits

The type of optical signals used depends on the application and environment. With Evo*SIGNAL*, finding the right signal device has never been so easy: Almost all areas of application are optimally covered by only two sizes (combinations) with specific mounting adapters. The new modular, simple and clear standard solution. Evo*SIGNAL* is one of a kind.

- Simple and easy to use: Number of different articles reduced to 20% whilst retaining a full range
- Twin functions: Twin*LIGHT* and Twin*FLASH* unite two light pattern functions in one element. They can be remote-controlled via connection terminals and also used as escalation levels
- Poka Yoke: Simple and intuitive installation - incorrect installation is impossible
- Mini and Midi also available as Tri*COLOUR* variants
- Maxi Twin*FLASH* can be used as an attention-grabbing alternative to xenon strobes and rotating mirror beacons

Typical applications

Signal faults and statuses on machines and equipment, in building services engineering and in door and gate applications. All products are ideal for demanding indoor and outdoor applications.

- Mini – in installation sites with limited space
- Midi – signalling over medium distances (10–30 m)

Installation options

- Base mounting
- M22/PG 29 single-hole mounting
- Tube mounting
- Bracket mounting

Features

- Push-in connection terminals: Simple and permanently secure connection
- Fully compatible: Easy replacement of previous products
- Best-in-class equipment: Powerful, extremely robust (IP66), tamper-proof

Signalisation index	
Mini	
Twin <i>LIGHT</i>	4
Twin <i>FLASH</i>	5
Permanent	5
Pulse	6
Midi	
Twin <i>LIGHT</i>	6
Twin <i>FLASH</i>	8
Rotating	7
Multi-tone	8

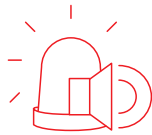
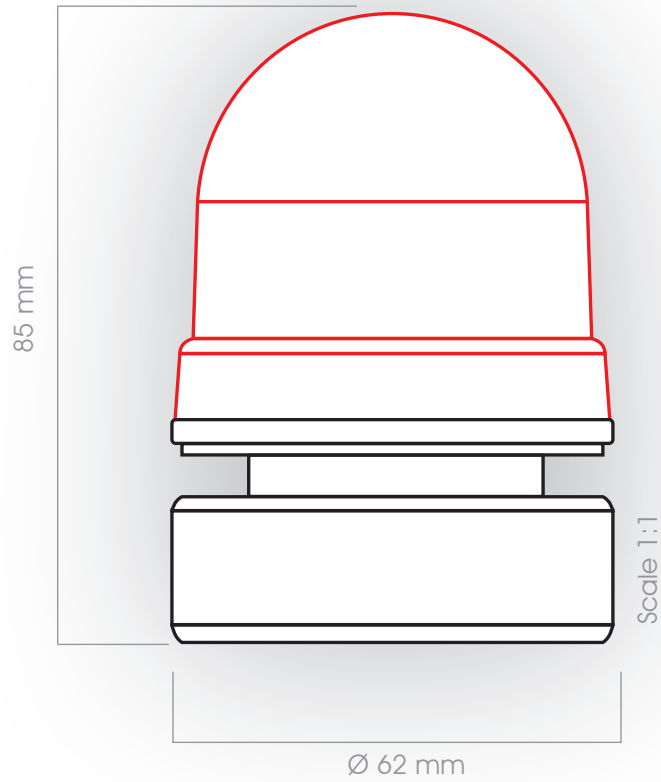


Mini

Midi



EvoSIGNAL Mini - Combinations



30
TwinLIGHT, TwinFLASH



6
Mounting adapter



EvoSIGNAL Mini - Combinations

OLD

LED Permanent Light/Buzzer	LED Xenon Flash/Buzzer	LED Permanent Light/Horn	LED Xenon Flash/Horn
420/422	421/423	424	425



NEW



Quick-Finder EvoSIGNAL Mini - Combinations



12 V AC/DC		24 V AC/DC		115-230 V AC	
TwinLIGHT	TwinFLASH	TwinLIGHT	TwinFLASH	TwinLIGHT	TwinFLASH
Order No.	Order No.	Order No.	Order No.	Order No.	Order No.
460 110 74	460 120 74	460 110 75	460 120 75	460 110 60	460 120 60
460 210 74	460 220 74	460 210 75	460 220 75	460 210 60	460 220 60
460 310 74	460 320 74	460 310 75	460 320 75	460 310 60	460 320 60
460 410 74	460 420 74	460 410 75	460 420 75	460 410 60	460 420 60
460 510 74	460 520 74	460 510 75	460 520 75	460 510 60	460 520 60

+ Mounting adapter (compulsory!)

Base mounting



Order no.
260 700 01

Installation mounting
M22



Order no.
260 700 03

Installation mounting
PG 29



Order no.
260 700 04

Tube mounting



Order no.
260 700 05

Bracket mounting
with cable gland

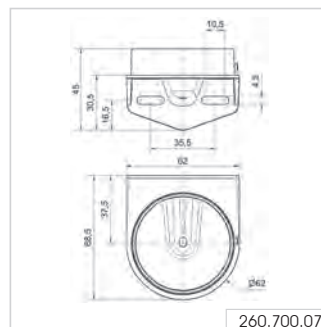
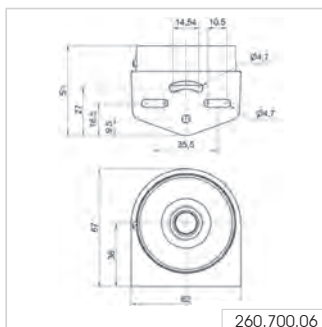
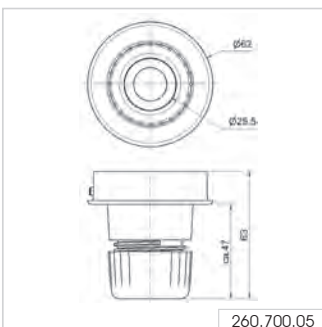
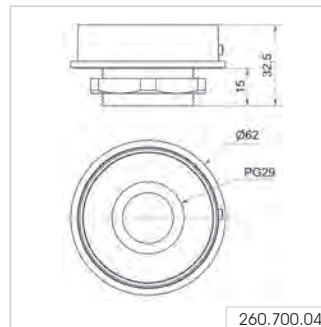
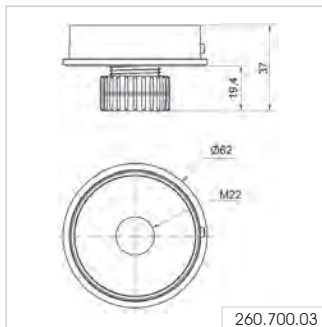
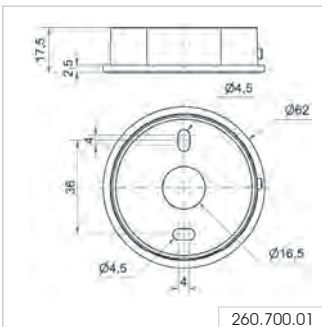


Order no.
260 700 06

Bracket mounting



Order no.
260 700 07



EvoSIGNAL Mini - Combinations



Installation mounting M 22



Tube mounting



Installation mounting PG 29

① TECHNICAL SPECIFICATIONS/ORDER SPECIFICATIONS:

Dimensions (Ø x Height):	62 x 85 mm		
Housing:	PC/ABS		
Lens:	PC, transparent		
Connection:	Push-In terminal max. 1.5 mm ²		
Cable entry:	Cable diameter 8-12 mm		
Tone type:	Continuous or Pulse tone		
Fixing:	Base/Tube/Wall/ Installation mounting		
Flashing/Blinking frequency:	1Hz		

TwinLIGHT

Voltage:	12 V AC/DC	24 V AC/DC	115-230 V AC
Current consumption:	≤ 120 mA	≤ 115 mA	≤ 75 mA
red	460 110 74	460 110 75	460 110 60
green	460 210 74	460 210 75	460 210 60
yellow	460 310 74	460 310 75	460 310 60
white	460 410 74	460 410 75	460 410 60
blue	460 510 74	460 510 75	460 510 60

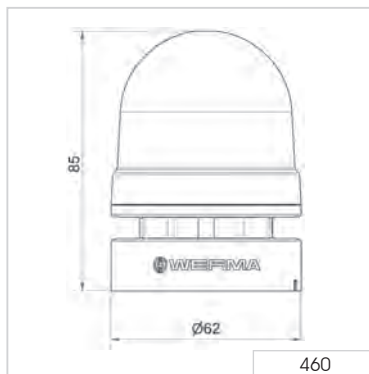
TwinFLASH

Voltage:	12 V AC/DC	24 V AC/DC	115-230 V AC
Current consumption:	≤ 100 mA	≤ 115 mA	≤ 75 mA
red	460 120 74	460 120 75	460 120 60
green	460 220 74	460 220 75	460 220 60
yellow	460 320 74	460 320 75	460 320 60
white	460 420 74	460 420 75	460 420 60
blue	460 520 74	460 520 75	460 520 60

✂ ACCESSORIES:

Base mounting	260 700 01
Installation mounting M22	260 700 03
Installation mounting PG 29	260 700 04
Tube mounting	260 700 05
Bracket mounting with cable gland	260 700 06
Bracket mounting	260 700 07

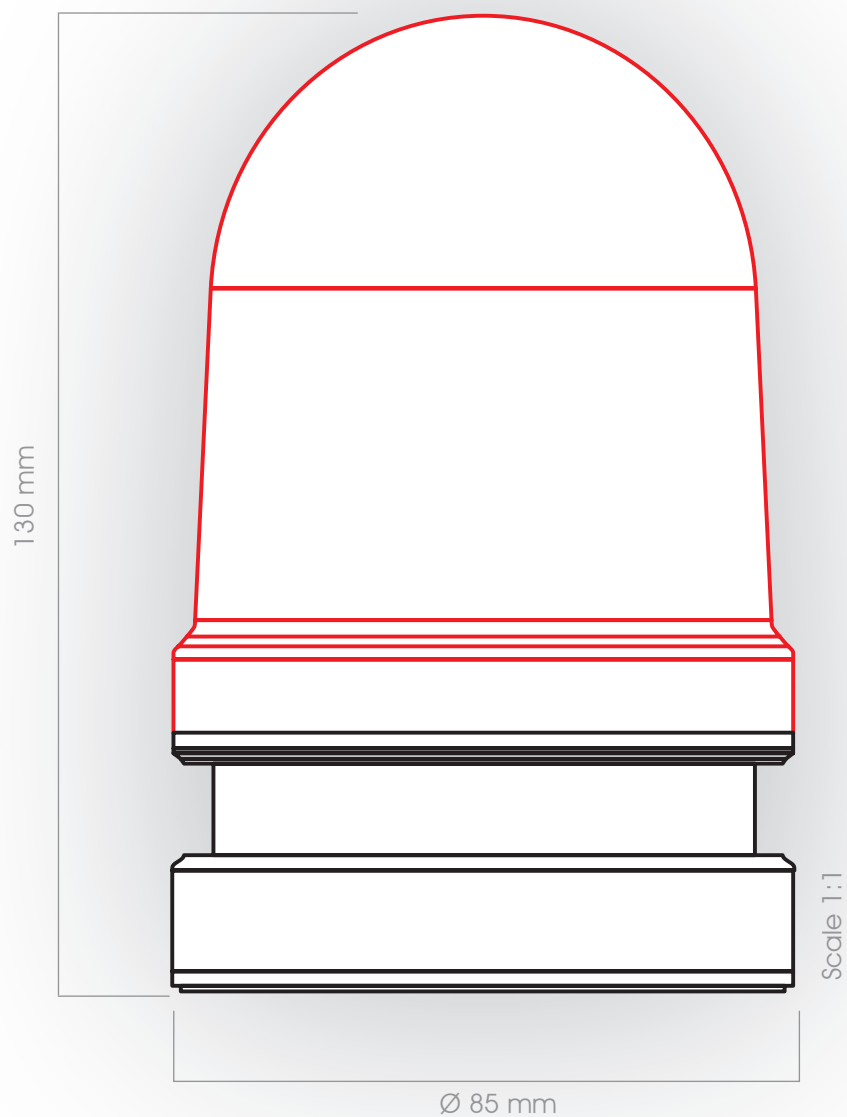
↔ TECHNICAL DIAGRAM:



Signalisation index	
TwinLIGHT	4
TwinFLASH	5
Continuous	5
Pulse	6



Evo*SIGNAL* Midi - Combinations



20
Twin*LIGHT*, Twin*FLASH*



6
Mounting adapter



EvoSIGNAL Midi - Combinations

OLD

LED Permanent Light/ Multi-Tone Sounder	LED Xenon Flash/ Multi-Tone Sounder
420/422	421/423



NEW



EvoSIGNAL Midi - Combinations



Horn



Bracket mounting with cable gland



Tube mounting

① TECHNICAL SPECIFICATIONS/ORDER SPECIFICATIONS:

Dimensions (Ø x Height):	85 mm x 130 mm	
Housing:	PC/ABS	
Lens:	PC, transparent	
Fixing:	Base/Tube/Wall mounting	
Cable entry:	Cable diameter 8-12 mm	
Connection:	Push-In terminal max. 1.5 mm ²	
Tone type:	Multi-tone, 10 tones	
Flashing/Blinking frequency:	1 Hz	

TwinLIGHT		
Voltage:	12/24 V AC/DC	115-230 V AC
Current consumption:	≤ 345 mA	≤ 170 mA
red	461 110 70	461 110 60
green	461 210 70	461 210 60
yellow	461 310 70	461 310 60
white	461 410 70	461 410 60
blue	461 510 70	461 510 60

TwinFLASH		
Voltage:	12/24 V AC/DC	115-230 V AC
Current consumption:	≤ 110 mA	≤ 215 mA
red	461 120 70	461 120 60
green	461 220 70	461 220 60
yellow	461 320 70	461 320 60
white	461 420 70	461 420 60
blue	461 520 70	461 520 60




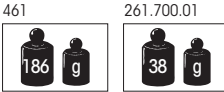
✖ ACCESSORIES:

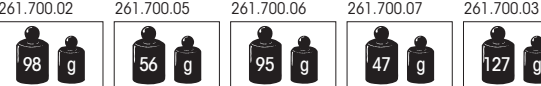

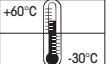

Base mounting	261 700 01
Base mounting with cable gland	261 700 02
Tube mounting	261 700 05
Bracket mounting with cable gland	261 700 07
Bracket mounting	261 700 06
Horn	261 700 03

↔ TECHNICAL DIAGRAM:



Signalisation index	
TwinLIGHT	6
TwinFLASH	8
Continuous	7
Pulse	8



Combination LED Beacon with Multi-Tone Sounder/Horn

Your benefits

The WERMA Midi Beacon with a siren or horn provides safety and security by delivering reliable fault alarms over medium distances. The IP65 protection rating is suitable for outdoor applications.

- Multiple light configurations for different purposes and distances (some with partial external triggering)
- Simple installation
- Tamper-proof when installed
- Multiple visual and audible escalation levels possible
- Clear all-round visibility thanks to the OmniVIEW lens; no blind spots
- Multi-tone siren with up to 32 tones available for maximum flexibility

Typical applications

Fault signalling

- In areas with high ambient noise levels
- On machinery and equipment
- In building service systems (e.g. gas alarm)
- In the event of e.g. overload on mobile cranes and similar

Installation options

- Base mounting
- Wall mounting
- Tube mounting

Features

- Long life and energy-saving LEDs



Signalisation index	430/432	431/433	434	435
Horn			7	7
Multi-Tone Sounder	7	7		
LED Permanent Light	5	5	5	5
LED Flashing Light		7		7
LED EVS Light		9		9



430/432 LED Permanent Light/Multi-Tone Sounder Combination



LED Permanent Light in combination with Multi-Tone Sounder



Quick and simple wall mounting without additional accessories thanks to integrated mounting bracket (432)



Mounting holes integrated into the product rim allow easy mounting without having to remove the lens (430)

① TECHNICAL SPECIFICATIONS/ORDER SPECIFICATIONS:

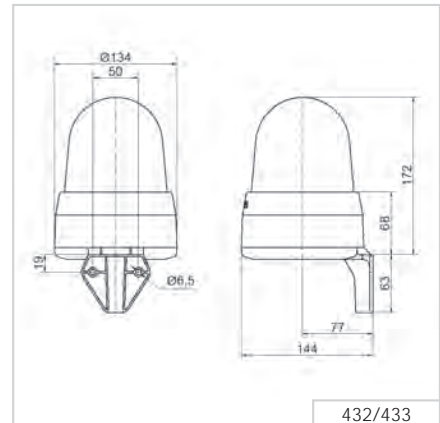
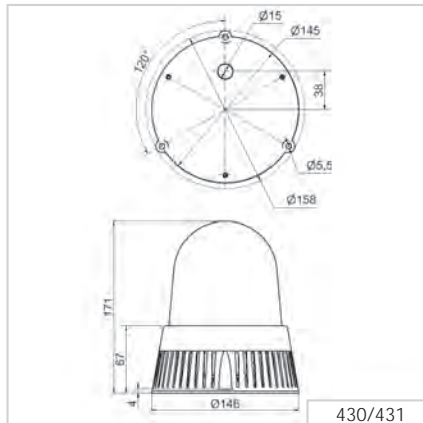
	Base mounting (430)	Wall mounting (432)
Dimensions (Ø x Height):	146 mm x 171 mm	134 mm x 235 mm
Housing:	PC/ABS-Blend, black	PC/ABS-Blend, grey
Lens:	PC, transparent	
Connection:	Screw terminal 0.5-1.5 mm ²	
Cable entry:	Cable diameter max. 1.3 mm	
Tone type and frequency:	32 tones adjustable, see table on page 224	
Life duration:	Up to 50,000 hrs (LED), up to 5,000 hrs (Multi-tone Sounder)	
Installation position:	Sound outlet facing downwards	
Fixing:	Base mounting (430), Wall mounting (432) Tube mounting (accessory, only for 430)	
Voltage:	24 V AC/DC	115-230 V AC*
Current consumption MTS:	190 mA	55 mA
Current consumption LED:	350 mA 230 mA (red)	100 mA 80 mA (red)
Base mounting		
red	430 100 75	430 100 60
yellow	430 300 75	430 300 60
Wall mounting		
red	432 100 75	432 100 60
yellow	432 300 75	432 300 60

*Current consumption at 115 V

✂ ACCESSORIES:

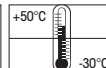
Adaptor for tube mounting, plastic, for tube Ø 25 mm **975 430 01**

↔ TECHNICAL DIAGRAMS:



Signalisation index

Multi-Tone Sounder	7
LED Permanent Light	5



431/433 LED Permanent / Flashing / EVS / Multi-Tone Sounder Combination



Multi-functional LED beacon:
3 light effects can be externally triggered



The adaptor enables mounting on a tube (431)

① TECHNICAL SPECIFICATIONS/ORDER SPECIFICATIONS:

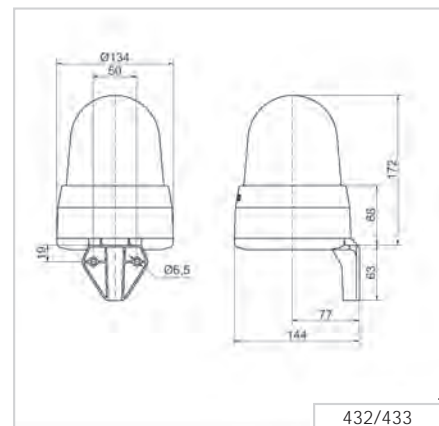
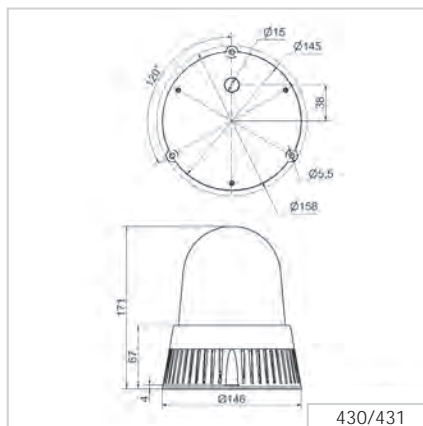
	Base mounting (431)	Wall mounting (433)
Dimensions (Ø x Height):	146 mm x 171 mm	134 mm x 235 mm
Housing:	PCABS-Blend, black	PC/ABS-Blend, grey
Lens:	PC, transparent	
Connection:	Screw terminal 0.5-1.5 mm ²	
Cable entry:	Cable diameter max. 13 mm	
Tone type and frequency:	32 tones adjustable, see table on page 224	
Installation position:	Sound outlet facing downwards	
Life duration:	Up to 50,000 hrs (LED), up to 5,000 hrs (Multi-tone Sounder)	
Fixing:	Base mounting (431), Wall mounting (433) Tube mounting (accessory, only for 431)	
Voltage:	24 V AC/DC	115-230 V AC*
Current consumption MTS:	190 mA	55 mA
Current consumption LED:	350 mA 230 mA (red)	100 mA 80 mA (red)
Base mounting		
red	431 100 75	431 100 60
yellow	431 300 75	431 300 60
Wall mounting		
red	433 100 75	433 100 60
yellow	433 300 75	433 300 60

*Current consumption at 115 V

✂ ACCESSORIES:

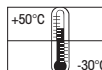
Adaptor for tube mounting, plastic, for tube Ø 25 mm	975 430 01
--	-------------------

↔ TECHNICAL DIAGRAMS:



Signalisation index

Multi-Tone Sounder	7
LED Permanent Light	5
LED Flashing Light	7
LED EVS Light	9



43 x Tone table for Multi-Tone Sounder

The Multi-Tone Sounder Combinations 43x offer a large choice of internationally recognised signal tones for the widest range of applications. The tone types and frequencies can be found in the table below:

🎵 TONE TYPES AND FREQUENCIES:						
Tone 1	Tone type	Frequency (Hz)	Description	Use	Tone 2	Sound output (dba)
1	continuous	200		BS 5839-1:2002	440 Hz cont.	97
2	rising	800 & 970	7 Hz		14	102
3	rising	800 & 970	1 Hz		14	103
4	continuous	2850			14	104
5	rising	2400 - 2850	7 Hz		4	109
6	rising	2400 - 2850	1 Hz		4	110
7	rising	500 - 1200	3 s, then 0.5 s OFF (then repeat)		14	106
8	falling	1200 - 500	1 Hz	DIN 33404-3	14	104
9	alternating	2400 & 2850	2 Hz		4	111
10	pulse	970	0.5 Hz (1 s On/1 s Off)	BS 5839 Part 1 1988	14	101
11	alternating	800 & 970	1 Hz	BS 5839 Part 1 1988	14	105
12	pulse	2850	0.5 Hz		4	104
13	pulse	970		0,25 s On/1 s Off	14	98
14	continuous	970		BS 5839-1:2002 PFEER - Toxic gas	10	102
15	alternating	554 & 440		France NFS	14	101
16	pulse	660	150 ms On/150 ms Off	Swedish	16	96
17	pulse	660	1.8 s On/1.8 s Off	Swedish	17	98
18	pulse	660	6.5 s On/13 s Off	Swedish	18	98
19	continuous	660		Swedish	19	98
20	alternating	554 & 440	0.5 Hz		20	102
21	pulse	660	1 Hz	Swedish	21	97
22	pulse	2850	150 ms On/100 ms Off	GB	14	104
23	rising	800 - 970	50 Hz (low)	BS 5839 Part 1 1988	14	102
24	rising	2400 - 2850	50 Hz (high)		4	109
25	pulse	970	3 x 500 ms ON/500 ms OFF / 1.5 s silence, then repeat (low)	ISO 8201 US Temporal	26	101
26	pulse	2850	3 x 500 ms ON/500 ms OFF / 1.5 s silence, then repeat (high)	ISO 8201 US Temporal	25	104
27	continuous	4000			27	92
28	rising	2000 - 2850	7 Hz		2000 Hz cont.	111
29	alternating	988 & 645	2 Hz		988 Hz cont.	102
30	alternating	510 & 610	2 Hz		510 Hz cont.	102
31	alternating	800 & 970	2 Hz	5839-1:2002	800 Hz cont.	105
32	alternating	800 & 1200	1 Hz		800 Hz cont.	105



434 LED Permanent Light / Horn Combination



Award winning design Winner of the iF product design award 2012



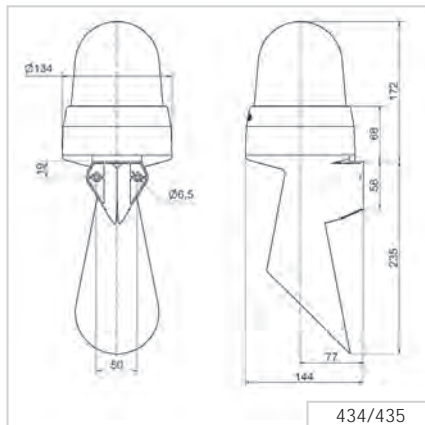
Quick and simple wall mounting without additional accessories thanks to integrated mounting bracket

① TECHNICAL SPECIFICATIONS/ORDER SPECIFICATIONS:

Dimensions (L x H x W):	134 mm x 407 mm x 144 mm	
Housing:	PC/ABS-Blend, grey	
Lens:	PC, transparent	
Connection:	Screw terminal 0.5-1.5 mm ²	
Cable entry:	Cable diameter max. 13 mm	
Tone frequency:	c. 110 Hz	
Life duration:	Up to 50,000 hrs (LED), up to 5,000 hrs (Horn)	
Fixing:	Wall mounting, integrated mounting bracket	
Installation position:	Sound outlet facing downwards	
Voltage:	24 V AC/DC	115-230 V AC*
Current consumption MTS:	55 mA	30 mA
Current consumption LED:	350 mA	100 mA
	230 mA (red)	80 mA (red)
red	434 100 75	434 100 60
yellow	434 300 75	434 300 60

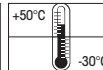
*Current consumption at 115 V

← TECHNICAL DIAGRAMS:



Signalisation index

Horn	7
LED Permanent Light	5



435 LED Permanent/Flashing/EVS/Horn Combination



Multi-functional LED beacon:
3 light effects can be triggered
externally



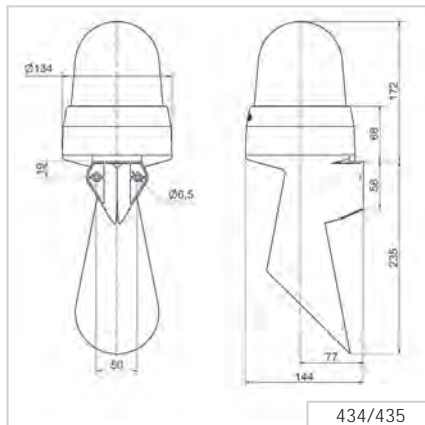
The "EVS" light effect ensures a
maximum attention-grabbing
effect

① TECHNICAL SPECIFICATIONS/ORDER SPECIFICATIONS:

Dimensions (L x H x W):	134 mm x 407 mm x 144 mm	
Housing:	PC/ABS-Blend, grey	
Lens:	PC, transparent	
Connection:	Screw terminal 0.5-1.5 mm ²	
Cable entry:	Cable diameter max. 13 mm	
Tone frequency:	c. 110 Hz	
Life duration:	Up to 50,000 hrs (LED), up to 5,000 hrs (Horn)	
Fixing:	Wall mounting, integrated mounting bracket	
Installation position:	Sound outlet facing downwards	
Voltage:	24 V AC/DC	115-230 V AC*
Current consumption MTS:	55 mA	30 mA
Current consumption LED:	350 mA 220 mA (red)	100 mA 80 mA (red)
red	435 100 75	435 100 60
yellow	435 300 75	435 300 60

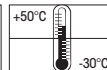
*Current consumption at 115 V

← TECHNICAL DIAGRAMS:



Signalisation index

Horn	7
LED Permanent Light	5
LED Flashing Light	7
LED EVS	9



Design Combination LED Multi-Tone Sirens

Your benefits

The Design Combination LED Multi-Tone Sirens provide safety and security in environments with heightened aesthetic design requirements. The innovative housing design makes for simple mounting in many diverse applications.

- Ideal signalling effect over great distances
- Multiple visual and audible escalation levels possible
- Many application options with up to 32 tones available
- Up to 3 tones controlled remotely for the escalation of signals
- Includes standardised tones (including those used in fire alarms)

Typical applications

Fault signalling

- In building service systems
- On machinery and equipment

Installation options

- Wall mounting
- Base mounting
- Ceiling mounting

Features

- Multi-voltage versions allow multiple applications with a single device
- Long life and energy-saving LEDs, either as a flashing light or EVS



Size comparison Design / Heavy Duty



Signalisation index	
Multi-Tone Sounder	8
LED Flashing Light	6
LED EVS	8



444 LED Double Flash/Multi-Tone Sounder Combination



Base mounting



Wall mounting

① TECHNICAL SPECIFICATIONS/ORDER SPECIFICATIONS:

Dimensions (L x H x W):	109 mm x 112 mm x 150 mm		
Housing:	PC/ABS-Blend		
Lens:	PC, transparent		
Connection:	24 V: Screw terminal 0.5-1.5 mm ² 115/230 V: CAGE CLAMP®		
Cable entry:	Membrane for cable diameter max. 13 mm		
Life duration:	Up to 50,000 hrs (LED Double Flash)		
Flash frequency:	c. 1 Hz		
Fixing:	Wall, base and ceiling mounting		
Voltage:	24 V AC/DC	115 V AC	230 V AC
Current consumption Optical:	60 mA	30 mA	30 mA
Current consumption Audible:	200 mA	55 mA	30 mA
red	444 100 75	444 100 67	444 100 68
yellow	444 300 75	444 300 67	444 300 68

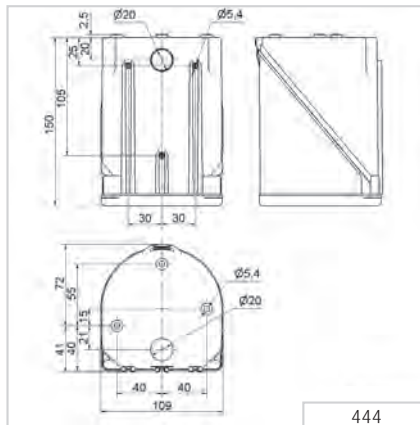
✂ ACCESSORIES:

Cable gland M20 x 1.5 mm (for cable strain relief)	975 444 01
Protection rating IP 65 is guaranteed even without cable gland	

🎵 TONE TYPES AND FREQUENCIES:

Selectable via DIP switch, see tone table on page 230, 3 tones can be externally triggered

← TECHNICAL DIAGRAMS:



Signalisation index	
Multi-Tone Sounder	8
LED Flashing Light	6

24 V	115 V / 230 V	(A)	24 V



444 LED EVS / Multi-Tone Sounder Combination



Base mounting



The „EVS“ light effect ensures a maximum attention-grabbing effect

① TECHNICAL SPECIFICATIONS/ORDER SPECIFICATIONS:

Dimensions (L x H x W):	109 mm x 112 mm x 150 mm		
Housing:	PC/ABS-Blend		
Lens:	PC, transparent		
Connection:	24 V: Screw terminal 0.5-1.5 mm ² 115/230 V: CAGE CLAMP®		
Cable entry:	Membrane for cable diameter max. 13 mm		
Fixing:	Wall, base and ceiling mounting		
Life duration:	Up to 50,000 hrs (LED EVS)		
Voltage:	24 V AC/DC	115 V AC	230 V AC
Current consumption Optical:	60 mA	30 mA	30 mA
Current consumption Audible:	220 mA	55 mA	30 mA
red	444 110 75	444 110 67	444 110 68
yellow	444 310 75	444 310 67	444 310 68

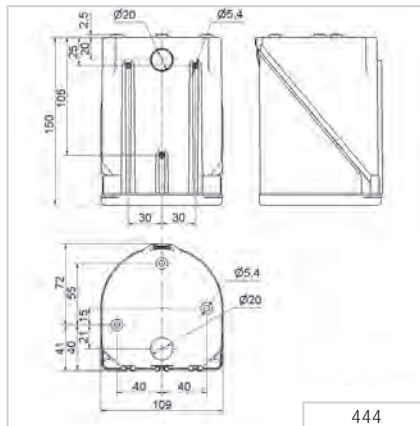
✂ ACCESSORIES:

Cable gland M20 x 1.5 mm (for cable strain relief)	975 444 01
Protection rating IP 65 is guaranteed even without cable gland	

🎵 TONE TYPES AND FREQUENCIES:

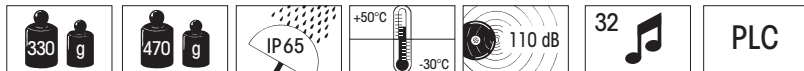
Selectable via DIP switch, see tone table on page 230, 3 tones can be externally triggered

↔ TECHNICAL DIAGRAMS:



Signalisation index

Multi-Tone Sounder	8
LED EVS Light	8



444 Combination

The 444 Combinations offer a large choice of internationally recognised signal tones for the widest spectrum of applications. 3 tones can be triggered externally.

STONE TYPES AND FREQUENCIES:

Tone 1	Tone type	Frequency (Hz)	Description	Use	Tone 2	Sound output (dbA)
1	continuous	200		BS 5839-1:2002	440 Hz cont.	97
2	rising	800 & 970	7 Hz		14	102
3	rising	800 & 970	1 Hz		14	103
4	continuous	2850			14	104
5	rising	2400 - 2850	7 Hz		4	109
6	rising	2400 - 2850	1 Hz		4	110
7	rising	500 - 1200	3 s, then 0.5 s OFF (then repeat)		14	106
8	falling	1200 - 500	1 Hz	DIN 33404-3	14	104
9	alternating	2400 & 2850	2 Hz		4	111
10	pulse	970	0.5 Hz (1 s On/1 s Off)	BS 5839 Part 1 1988	14	101
11	alternating	800 & 970	1 Hz	BS 5839 Part 1 1988	14	105
12	pulse	2850	0.5 Hz		4	104
13	pulse	970		0,25 s On/1 s Off	14	98
14	continuous	970		BS 5839-1:2002 PFEER - Toxic gas	10	102
15	alternating	554 & 440		France NFS	14	101
16	pulse	660	150 ms On/150 ms Off	Swedish	16	96
17	pulse	660	1.8 s On/1.8 s Off	Swedish	17	98
18	pulse	660	6.5 s On/13 s Off	Swedish	18	98
19	continuous	660		Swedish	19	98
20	alternating	554 & 440	0.5 Hz		20	102
21	pulse	660	1 Hz	Swedish	21	97
22	pulse	2850	150 ms On/100 ms Off	GB	14	104
23	rising	800 - 970	50 Hz (low)	BS 5839 Part 1 1988	14	102
24	rising	2400 - 2850	50 Hz (high)		4	109
25	pulse	970	3 x 500 ms ON/500 ms OFF / 1.5 s silence, then repeat (low)	ISO 8201 US Temporal	26	101
26	pulse	2850	3 x 500 ms ON/500 ms OFF / 1.5 s silence, then repeat (high)	ISO 8201 US Temporal	25	104
27	continuous	4000			27	92
28	rising	2000 - 2850	7 Hz		2000 Hz cont.	111
29	alternating	988 & 645	2 Hz		988 Hz cont.	102
30	alternating	510 & 610	2 Hz		510 Hz cont.	102
31	alternating	800 & 970	2 Hz	5839-1:2002	800 cont.	105
32	alternating	800 & 1200	1 Hz		800 cont.	105



Heavy Duty Combination – Multi-Tone Siren with Xenon Flash

Your benefits

The WERMA Heavy Duty Combination - Multi-Tone Siren with Xenon Flash features a very robust housing. The combination device provides safety and security through reliable, loud signalling in particularly harsh environments. Up to 120 dB for use in extremely noisy environments and signalling over long distances.

- Multiple visual and audible escalation levels possible
- Includes standardised tones (including those used in fire alarms)
- Up to 42 tones for signalling various statuses

Typical applications

Signalling of faults or alarms

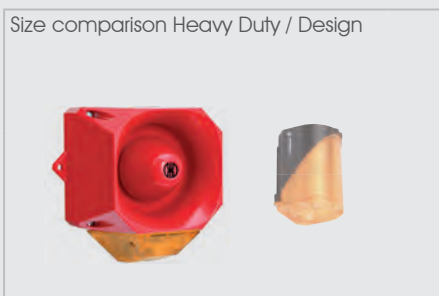
- Outdoors in extreme conditions
- In larger industrial plants
- As an evacuation alarm

Installation options

- Wall mounting

Features

- High protection rating IP66
- Multi-voltage versions available



	Siganlisation index		
	439	441	442
Multi-Tone Sounder	6	8	10
Xenon Flash	4	5	5-6



439 Xenon Flash / Multi-Tone Sounder Combination (105 dB)



① TECHNICAL SPECIFICATIONS/ORDER SPECIFICATIONS:

Dimensions (L x H x W):	136 mm x 138 mm x 119 mm	
Housing:	ABS	
Connection:	Screw terminal 0.28-2.5 mm ²	
Cable entry:	Cable gland M20 x 1.5 mm (not included in assembly)	
Flash frequency:	1 Hz	
Flash energy	1.6 Ws	
Tone type and frequency:	Selectable via DIP switch, 2 tones can be externally triggered	
Voltage:	9-60 V DC	110-230 V AC
Current consumption:	230 mA (24 V)	30 mA (230 V)
Housing/Flash		
red / red	439 010 55	439 010 68
red / yellow	439 030 55	439 030 68
grey / red	439 110 55	439 110 68
grey / yellow	439 130 55	439 130 68

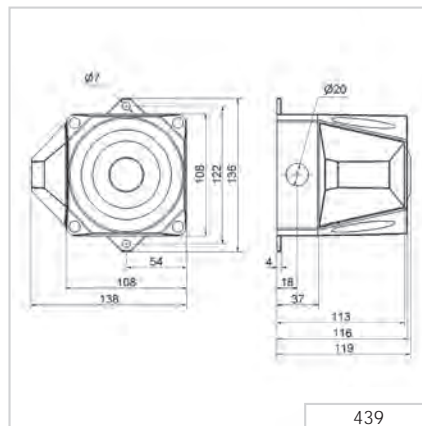
✂ ACCESSORIES:

Cable gland M20 x 1.5 mm (for cable strain relief)	975 444 01
Protection rating IP 65 is guaranteed even without cable gland	

🎵 TONE TYPES AND FREQUENCIES:

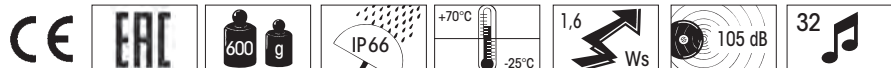
For further details see www.werma.com.

↔ TECHNICAL DIAGRAMS:



Signalisation index

Multi-Tone Sounder	6
Xenon Flash	4



441 Xenon Flash / Multi-Tone Sounder Combination (110 dB)



① TECHNICAL SPECIFICATIONS/ORDER SPECIFICATIONS:

Dimensions (L x H x W):	165 mm x 169 mm x 132 mm	
Housing:	PC/ABS-Blend	
Connection:	Screw terminal 0.28-2.5 mm ²	
Cable entry:	Cable gland M20 x 1.5 mm (not included in assembly)	
Flash frequency:	1 Hz	
Flash energy	2.5 Ws	
Tone type and frequency:	Selectable via DIP switch, 2 tones can be externally triggered	
Voltage:	9-60 V DC	230 V AC
Current consumption:	230 mA	35 mA
Housing/Flash		
red / red	441 010 55	441 010 68
red / yellow	441 030 55	441 030 68
grey / red	441 110 55	441 110 68
grey / yellow	441 130 55	441 130 68

✂ ACCESSORIES:

Cable gland M20 x 1.5 mm (for cable strain relief)

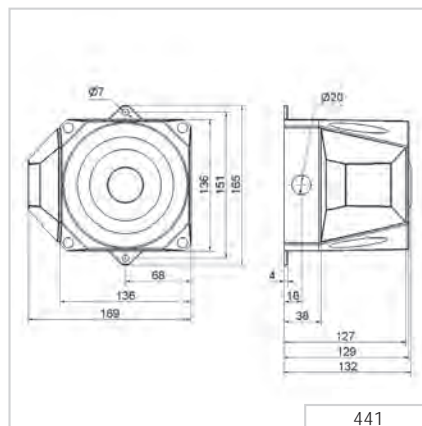
Protection rating IP 65 is guaranteed even without cable gland

975 444 01

🎵 TONE TYPES AND FREQUENCIES:

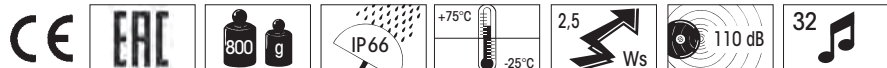
For further details see www.werma.com.

↔ TECHNICAL DIAGRAMS:



Signalisation index

Multi-Tone Sounder	8
Xenon Flash	5



442 Xenon Flash / Multi-Tone Sounder Combination (120 dB)



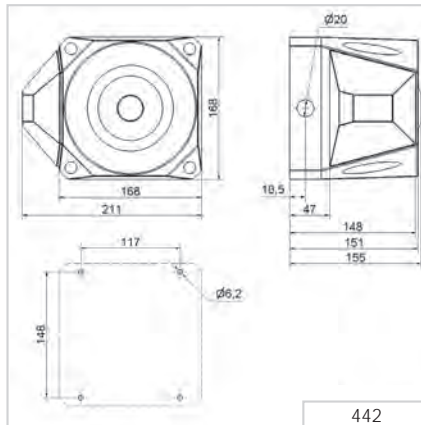
① TECHNICAL SPECIFICATIONS/ORDER SPECIFICATIONS:

Dimensions (L x H x W):	168 mm x 211 mm x 155 mm	
Housing:	PC/ABS-Blend	
Connection:	Screw terminal 0.28-2.5 mm ²	
Cable entry:	Cable gland M20 x 1.5 mm (not included in assembly)	
Tone type and frequency:	Selectable via DIP switch, 3 tones externally triggered see table on page 235	
Voltage:	18-30 V DC	115/230 V AC
Current cons. Multi Tone Sounder:	450 mA	130/65 mA
Current consumption Flash:	127-389 mA (dependent on voltage and flash frequency)	- /15 mA (dependent on voltage and flash frequency)
Flash frequency	0.75 Hz/1 Hz	1.25 Hz/2 Hz
Flash energy	3.5 Ws	2 Ws
Housing/Flash		1 Hz (Flash can only be operated with 230 V)
red / red	442 010 55	442 010 68
red / yellow	442 030 55	442 030 68
grey / red	442 110 55	442 110 68
grey / yellow	442 130 55	442 130 68

✂ ACCESSORIES:

Cable gland M20 x 1.5 mm (for cable strain relief) Protection rating IP 65 is guaranteed even without cable gland	975 444 01
--	-------------------

↔ TECHNICAL DIAGRAMS:



Signalisation index	
Multi-Tone Sounder	10
Xenon Flash	5-6

442 XX0 55 442 XX0 68



442 Combination

The Flash/Multi-Tone Sounder Combination 442 offers a large choice of internationally recognised signal tones for the widest spectrum of applications. 3 tones can be triggered externally. The first two tones can be freely chosen. The third tone is paired with the second tone.

♪ TONE TYPES AND FREQUENCIES:

Tone 1+2 No	Tone type	Use	Output (dbA)	Tone 3
1	alternating 800/970 Hz in 2 Hz stroke (250 ms-250 ms)		120	14
2	rising 800/970 Hz in 7 Hz stroke (7/s)		120	14
3	rising 800/970 Hz in 1 Hz stroke (1/s)		120	14
4	continuous 2,850 Hz		111	9
5	rising 2,400-2,850 Hz in 7 Hz stroke		109	4
6	rising 2,400-2,850 Hz in 1 Hz stroke		110	4
7	500-1,200 Hz rising in 3 sec., 0.5 sec. OFF	Slow Whoop Holland	119	14
8	falling 1,200-500 Hz in 1 Hz stroke	DIN/PFEER (PAPA), DIN 33404-3, VDS tested	119	14
9	alternating 2,400/2,850 Hz in 2 Hz stroke (250 ms-250 ms)		113	4
10	pulse 970 Hz in 0.5 Hz stroke (1 sec. ON / 1 sec. OFF)	PFEER Alarm	117	14
11	alternating 800/970 Hz in 1 Hz stroke (500 ms-500 ms)		118	14
12	pulse 2,850 Hz in 0.5 Hz stroke (1 sec. ON / 1 sec. OFF)		112	4
13	970 Hz pulse: 0.25 sec. ON / 1 sec. OFF		117	14
14	continuous 970 Hz	PFEER - Toxic gas	118	8
15	554 Hz/100 ms alternating 440 Hz/400 ms	French alarm signal AFNOR NFS 32S 32-001	115	14
16	660 Hz pulse: 150 ms ON, 150 ms. OFF	Swedish alarm signal	114	14
17	660 Hz pulse: 1.8 sec. ON, 1.8 sec. OFF	Swedish alarm signal	115	14
18	660 Hz pulse: 6.5 sec. ON, 13 sec. OFF	Swedish alarm signal	115	14
19	continuous 660 Hz	Swedish alarm signal	116	1
20	alternating 554/440 Hz in 0.5 Hz stroke (1 sec. ON / 1 sec. OFF)	Swedish alarm signal	115	19
21	pulse 660 Hz in 1 Hz stroke (500 ms-500 ms)	Swedish alarm signal	115	4
22	pulse 2,850 Hz in 4 Hz stroke (150 ms ON / 100 ms OFF)	Swedish alarm signal	110	4
23	rising 800-970 Hz in 50 Hz stroke	Swedish alarm signal	117	14
24	rising 2,400-2,850 Hz in 50 Hz stroke	Swedish alarm signal	110	4
25	970 Hz pulse.: 3 x 500 ms. ON, 500 ms OFF, break 1.5 sec.	ISO 8201 / US Temporal	118	14
26	2,850 Hz pulse.: 3 x 500 ms. ON, 500 ms OFF, break 1.5 sec.	ISO 8201 / US Temporal	112	4
27	continuous 4,000 Hz		105	6
28	alternating 800/970 Hz in 2 Hz stroke (250 ms-250 ms)		118	14
29	alternating 990/650 Hz in 2 Hz stroke (250 ms-250 ms)		117	14
30	alternating 510/610 Hz in 2 Hz stroke (250 ms-250 ms)		116	14
31	rising 300-1,200 Hz in 1 Hz stroke		118	14
32	continuous Bell		117	3
33	continuous Bell: 3x500 ms. Pulse, 1.5 sec. Silence, then repeat	Bell / US Temporal	117	14
34	alternating 1,000/2,000 Hz in 1 Hz stroke (500 ms-500 ms)	Singapore	115	4
35	pulse 420 Hz (0,625 sec.)	Australian alarm signal	118	14
36	500-1,200 Hz rising in 3.75 sec., then 0.25 sec. OFF	Australian alarm signal (Evacuation)	117	14
37	rising 1,400-1,600 Hz in 1 sec., falling in 0.5 sec.	NF C 48-265	116	14
38	500-1,200 Hz rising and falling in 3 sec.	Siren	117	14
39	pulse 720 Hz: 0.7 sec. ON, 0.3 sec. OFF	German industrial alarm	118	14
40	rising 422-775 Hz in 0.85 sec., 1 sec. silence, then repeat	NFPA Whoop	118	14
41	continuous 470 Hz	Horn (USA)	114	3
42	continuous 370 Hz	Air Horn (USA)	113	3



Product number index

Product no.	Page
107	161
109	162
110	163
111	164
114	166
118	167
119	167
123	178
126	179
127 replaced by 160	
128 replaced by 160	
129	192
133 replaced by 161	
134 replaced by 161	
139	194
140	185
141	195
142	196
144	187
150	209
153	126
154	190
160	172
161	176
190	137
200 replaced by 260	
201 replaced by 260	
202 replaced by 260	
203 replaced by 260	
204 replaced by 260	
205 replaced by 260	
206 replaced by 260	
207 replaced by 260	
208 replaced by 260	
209 replaced by 260	
210 replaced by 260	
211 replaced by 260	
212 replaced by 260	
213 replaced by 260	
214 replaced by 260	
215 replaced by 260	

Product no.	Page
216 replaced by 260	
219 replaced by 260	
220 replaced by 260	
221 replaced by 260	
222 replaced by 260	
223 replaced by 260	
224 replaced by 260	
225 replaced by 260	
230	85
231	86
232	87
239	89
239 AS-Interface	90
240 without buzzer	91
240 with buzzer	211
260	96
261	110
262	116
280 replaced by 262	
280 LED Obstruction Light	133
281 LED Obstruction Light	134
338	165
382	165
420 replaced by 460 + 461	
421 replaced by 460 + 461	
422 replaced by 460 + 461	
423 replaced by 460 + 461	
424 replaced by 460	
425 replaced by 460	
430	222
431	223
432	222
433	223
434	225
435	226
439	232
441	233
442	234
444	228
444 LED EVS	229
450 with acknowledgement	210

Product no.	Page
460	216
461	220
482 replaced by 160	
570	180
573	181
574	182
575	183
582 replaced by 160	
584 replaced by 160	
585 replaced by 160	
630 Terminal Elements	31
631 IO Link KS 40	31
634 LED Elements	29
635 Audible Elements	30
639	28
640 Terminal elements KS 71	45
640 Terminal elements KS 72	37
641 LED Elements	41
643 LED Elements	41
644 LED Elements	41
645 Audible elements KS 71	43
645 Audible elements KS 72	36
646 AS-Interface	47
646 IO Link KS 72	37
647 LED Elements	35
649 Pre-configured signal tower KS 71	40
649 Pre-configured signal tower KS 72	34
656	54
690	60
691	58
694	52
695	56
698	48
699	48
718	201
728	155
729 LED Permanent	151
729 LED Double Flash	153
729 LED EVS	154
729 LED Rotating Beacon	152
741	62

